

	Document Title: Structural Performance Certification Authorization Report	Doc No: FRM B1-02	
		Rev No: 7	Page: 1 Of: 1
Required By: PRO B1-03			

CAR & Product ID Number: 757 - 123.0
Issue Date: 10/21/2015
Revision Date: 8/9/2019
Expiration Date: 7/31/2022
Company Code: 757

This Certification Authorization Report (CAR) is issued by Keystone Certifications, Inc. (KCI) after full validation review, and is based on a standardized evaluation of the product conducted by an independent accredited laboratory in accordance with the specified referenced standard. Actual fenestration product performance may vary based on many factors, including installation, condition of the wall/roof substrate and the age of the product and installation components.

This report indicates the product is eligible for the application of Keystone Certification Program certification labels. Licensee stipulates in affixing certification labels to products, that those products are representative of the specimen evaluated and documented for certification authorization. Only products bearing such a certification label shall be considered certified. The information in this report can be verified at www.keystonecerts.com.

Licensee Information:	Product Information:
Pocahontas Aluminum Company, Inc. 2001 Industrial Drive, PO Box 756 Pocahontas, AR 72455 USA	Model: PEL21W PVC Fixed Operator Type: FW Config: No Max Width: 48 Max Height: 73

Referenced Standard:	Product Rating:
AAMA 1701.2-12 / FMHC&S Std. 3280.403	Wind Zone III @ 58 psf, 48x73

Qualifying Test Information:	
Test Report No:	ATI-E9101.03-501-47
Test Report Expiration:	7/31/2022

Authorized Signature:

Keystone Certifications, Inc.
145 Limekiln Rd. Suite 100B
New Cumberland, Pennsylvania 17070
Phone: 717-932-8500
Fax: 717-932-8501

	Document Title: Structural Performance Certification Authorization Report	Doc No: FRM B1-02	
		Rev No: 7	Page: 1 Of: 1
Required By: PRO B1-03			

CAR & Product ID Number: 757 - 124.0
Issue Date: 10/21/2015
Revision Date: 8/9/2019
Expiration Date: 7/31/2022
Company Code: 757

This Certification Authorization Report (CAR) is issued by Keystone Certifications, Inc. (KCI) after full validation review, and is based on a standardized evaluation of the product conducted by an independent accredited laboratory in accordance with the specified referenced standard. Actual fenestration product performance may vary based on many factors, including installation, condition of the wall/roof substrate and the age of the product and installation components.

This report indicates the product is eligible for the application of Keystone Certification Program certification labels. Licensee stipulates in affixing certification labels to products, that those products are representative of the specimen evaluated and documented for certification authorization. Only products bearing such a certification label shall be considered certified. The information in this report can be verified at www.keystonecerts.com.

Licensee Information:	Product Information:
Pocahontas Aluminum Company, Inc. 2001 Industrial Drive, PO Box 756 Pocahontas, AR 72455 USA	Model: PEL21W PVC Fixed Operator Type: FW Config: No Max Width: 36 Max Height: 61

Referenced Standard:	Product Rating:
AAMA 1701.2-12 / FMHC&S Std. 3280.403	Wind Zone III @ 58 psf, 36x61

Qualifying Test Information:	
Test Report No:	ATI-E9101.03-501-47
Test Report Expiration:	7/31/2022

Authorized Signature:

Keystone Certifications, Inc.
145 Limekiln Rd. Suite 100B
New Cumberland, Pennsylvania 17070
Phone: 717-932-8500
Fax: 717-932-8501



TEST REPORT

Report No.: E9101.03-501-47

Rendered to:

POCAHONTAS ALUMINUM CO., INC.
Pocahontas, Arkansas

PRODUCT TYPE: PVC Fixed Window
SERIES/MODEL: PEL21W

SPECIFICATION: AAMA 1701.2-12, *Voluntary Standard for Utilization in Manufactured Housing for Primary Windows and Sliding Glass Doors.*

Test Dates: 06/22/15
Through: 06/24/15
Report Date: 07/31/15

- 1.0 Report Issued To:** Pocahontas Aluminum Co., Inc.
2001 Industrial Drive
Pocahontas, Arizona 72455
- 2.0 Test Laboratory:** Architectural Testing, Inc., a subsidiary of Intertek (Intertek-ATI)
1140 Lincoln Avenue
Springdale, Pennsylvania 15144
724-275-7100

3.0 Project Summary:

- 3.1 Product Type:** PVC Fixed Window
- 3.2 Series/Model:** PEL21W
- 3.3 Compliance Statement:** Results obtained are tested values and were secured by using the designated test method(s). The sample tested successfully met the performance requirements listed in the referenced specification(s).
- 3.4 Test Dates:** 06/22/2015 – 06/24/2015
- 3.5 Test Record Retention End Date:** All test records for this report will be retained until June 24, 2019.
- 3.6 Test Location:** Veka Inc. test facility in Fombell, Pennsylvania.
- 3.7 Test Sample Source:** The test specimens were provided by the client. Representative samples of the test specimen(s) will be retained by Architectural Testing for a minimum of four years from the test completion date.
- 3.8 Drawing Reference:** The test specimen drawings have been reviewed by Architectural Testing and are representative of the test specimen(s) reported herein. Test specimen construction was verified by Architectural Testing per the drawings located in Appendix A. Any deviations are documented herein or on the drawings.

3.9 List of Official Observers:

<u>Name</u>	<u>Company</u>
Doug Merry	Veka Inc.
Cornell Charles	Veka Inc.
Joseph Allison	Intertek-ATI

4.0 Test Specification(s):

AAMA 1701.2-12, *Voluntary Standard for Utilization in Manufactured Housing for Primary Windows and Sliding Glass Doors.*

Code of Federal Regulations, Part 3280 - *Manufactured Home Construction and Safety Standards*, Subpart D, Section 3280.305(c)(1)(ii)(B).

5.0 Test Specimen Description:

5.1 Product Sizes:

Test Specimen #1:

Overall Area: 2.3 m ² (24.3 ft ²)	Width		Height	
	millimeters	inches	millimeters	inches
Overall size	1219	48	1854	73

Test Specimen #2:

Overall Area: 1.4 m ² (15.3 ft ²)	Width		Height	
	millimeters	inches	millimeters	inches
Overall size	914	36	1549	61

The following descriptions apply to all specimens.

5.2 Frame Construction:

Frame Member	Material	Description
Head, sill, jambs	PVC	Extruded

	Joinery Type	Detail
All corners	Mitered	Thermally welded

5.3 Weatherstripping: No weatherstripping was utilized.

5.0 Test Specimen Description: (Continued)

5.4 Glazing: *No conclusions of any kind regarding the adequacy or inadequacy of the glass in any glazed test specimen(s) can be made.*

Test Specimen #1:

Glass Type	Spacer Type	Interior Lite	Exterior Lite	Glazing Method
5/8" IG	Rectangular-shaped steel, single sealed	1/8" annealed	1/8" annealed	The glass was set from the exterior against a silicone sealant and secured with rigid PVC glazing beads

Test Specimen #2:

Glass Type	Spacer Type	Interior Lite	Exterior Lite	Glazing Method
5/8" IG	Rectangular-shaped steel, single sealed	3/32" annealed	3/32" annealed	The glass was set from the exterior against a silicone sealant and secured with rigid PVC glazing beads

Location	Quantity	Daylight Opening		Glass Bite
		millimeters	inches	
Specimen #1 frame	1	1153 x 1788	45-3/8 x 70-3/8	5/8"
Specimen #2 frame	1	848 x 1483	33-3/8 x 58-3/8	5/8"

5.5 Drainage: No drainage was utilized.

5.6 Hardware: No hardware was utilized.

5.7 Reinforcement: No reinforcement was utilized.

6.0 Installation:

The specimen was installed into a Spruce-Pine-Fir wood buck. The rough opening allowed for a 1/8" shim space. The nail fin perimeter of the window was sealed with a silicone sealant.

Location	Anchor Description	Anchor Location
Integral nail fin	#8 x 2" truss head screw	Nominally spaced at 4-1/2" on center

7.0 Test Results: The temperature during testing was 21°C (70°F). The results are tabulated as follows:

Test Specimen #1:

Title of Test	Results	Allowed	Note
Structural Performance, per ASTM E 330 +1190 Pa (+25.0 psf) -595 Pa (-12.5 psf)	Pass	No damage	2, 3
Air Leakage, per ASTM E 283 at 75 Pa (1.57 psf)	0.1 L/s/m ² (0.01 cfm/ft ²)	2.5 L/s/m ² (0.5 cfm/ft ²) max.	
Water Penetration, per ASTM E 547 at 360 Pa (7.52 psf)	Pass	No leakage	1
Optional Performance (24 CFR 3280.305(c))			
Uniform Load Structural, per ASTM E 330 +2770 Pa (+57.85 psf) -2770 Pa (-57.85 psf)	Pass	No damage	2, 3

Test Specimen #2:

Title of Test	Results	Allowed	Note
Structural Performance, per ASTM E 330 +1190 Pa (+25.0 psf) -595 Pa (-12.5 psf)	Pass	No damage	2, 3
Air Leakage, per ASTM E 283 at 75 Pa (1.57 psf)	0.1 L/s/m ² (0.01 cfm/ft ²)	2.5 L/s/m ² (0.5 cfm/ft ²) max.	
Water Penetration, per ASTM E 547 at 360 Pa (7.52 psf)	Pass	No leakage	1
Optional Performance (24 CFR 3280.305(c))			
Uniform Load Structural, per ASTM E 330 +2770 Pa (+57.85 psf) -2770 Pa (-57.85 psf)	Pass	No damage	2, 3

7.0 Test Results: (Continued)

Note 1: Without insect screen.

Note 2: Loads were held for 10 seconds.

Note 3: Tape and film OR were not used to seal against air leakage during structural testing.

Intertek-ATI will service this report for the entire test record retention period. Test records that are retained such as detailed drawings, datasheets, representative samples of test specimens, or other pertinent project documentation will be retained by Intertek-ATI for the entire test record retention period.

This report does not constitute certification of this product nor an opinion or endorsement by this laboratory. It is the exclusive property of the client so named herein and relates only to the specimen(s) tested. This report may not be reproduced, except in full, without the written approval of Intertek-ATI.

For ARCHITECTURAL TESTING, Inc.



Digitally Signed by: Joseph E. Allison

Joseph E. Allison
Senior Technician



Digitally Signed by: Lynn George

Lynn George
Director – Regional Operations

JEA:sld

Attachments (pages): This report is complete only when all attachments listed are included.
Appendix-A: Drawings (1) Complete drawings packet on file with Intertek-ATI



Test Report No.: E9101.03-501-47

Report Date: 07/31/15

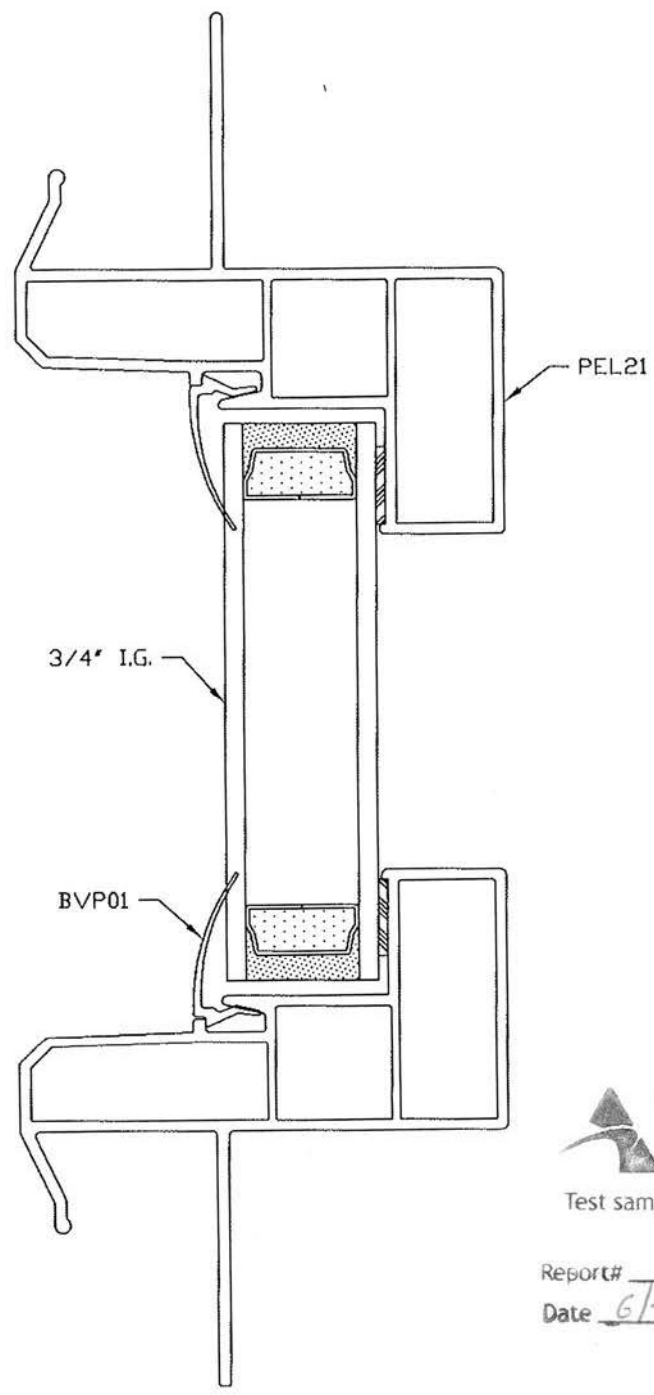
Architectural Testing

Appendix A

Drawings

Note: Complete drawings packet on file with Intertek-ATI

NOTE:
 FOR OTHER PROFILE, GLAZING BEAD,
 & GLASS OPTIONS, PLEASE SEE THE
 LINEAL PROFILE CHARTS FOR THIS
 SYSTEM.



Test sample complies with these details.
 Deviations are noted.

Report# E9101
 Date 6/29/15 Tech [Signature]

The information, design or data shown on this document or electronic media is the exclusive property of Veka Inc.. It is considered confidential and proprietary and is made available for limited use only. Its use or reproduction without the expressed written consent of Veka Inc. is prohibited.



VEKA INC.
 100 VEKA DRIVE
 FOMBELL, PA 16123

DRAWN: JMN	DATE: 9 JUNE 99	SCALE: FULL
CHK'D:	DATE:	APPV'D:
TITLE	PICTURE WINDOW PEL21W TYPICAL ASSEMBLY	DWG. # PEL21W