



Structural Performance Certification Authorization Report



Pocahontas Aluminum Company, Inc.

PO Box 756, 2001 Industrial Drive
Pocahontas, AR 72455, USA

Certification ID:	757-121
Company Code:	757
Certification Date:	10/21/2015
Revision No:	2
Revision Date:	8/5/2022
Expiration Date:	7/31/2025

Product Rating Information:

Model:	SSL21WW PVC Horizontal Slider XO			
Operator Type:	HS			
Configuration:	EM/IM, GS-1/8" Ann IG			
Referenced Standard:	AAMA 1701.2-12			
Product Rating:	Wind Zone I @ +25/-12.5 psf, 72x60 XO			
Rated Dimensions:	Max Width:	72 in	Max Height:	60 in

Qualifying Test information:

Test Report No:	ATI-E9100.03-501-47
Test Report Expiration:	7/31/2025

This Certification Authorization Report (CAR) is issued by Keystone Certifications, Inc. (KCI) after full validation review, and is based on a standardized evaluation of the product conducted by an independent accredited laboratory in accordance with the specified referenced standard. Actual fenestration product performance may vary based on many factors, including installation, condition of the wall/roof substrate and the age of the product and installation components.

This report indicates the product is eligible for the application of Keystone Certification Program certification labels. Licensee stipulates in affixing certification labels to products, that those products are representative of the specimen evaluated and documented for certification authorization. Only products bearing such a certification label shall be considered certified. The information in this report can be verified at www.keystonecerts.com

Authorized By:

Shaun Shaull
Shaun Shaull
2022.08.25 14:24:52
-04'00'

Keystone Certifications, Inc.
145 Limekiln Rd, Suite 100B
New Cumberland, PA 17070
Phone: 717-932-8500



Structural Performance Certification Authorization Report



Revision History

Rev #	Date	Description
0	10/21/2015	Initial Issuance
1	7/28/2022	Granted 3 Year Extension
2	8/25/2022	Corrected Expiration Date to 7/31/2025.



Structural Performance Certification Authorization Report

Pocahontas Aluminum Company, Inc.

PO Box 756, 2001 Industrial Drive
Pocahontas, AR 72455, USA

Certification ID:	757-122
Company Code:	757
Certification Date:	10/21/2015
Revision No:	1
Revision Date:	7/28/2022
Expiration Date:	7/31/2025

Product Rating Information:

Model:	SSL21WW PVC Horizontal Slider XO			
Operator Type:	HS			
Configuration:	EM/IM			
Referenced Standard:	AAMA 1701.2-12 / FMHC&S Std. 3280.403			
Product Rating:	Wind Zone II @ 46 psf, 64x50 XO			
Rated Dimensions:	Max Width:	64 in	Max Height:	50 in

Qualifying Test information:

Test Report No:	ATI-E9100.03-501-47
Test Report Expiration:	7/31/2025

This Certification Authorization Report (CAR) is issued by Keystone Certifications, Inc. (KCI) after full validation review, and is based on a standardized evaluation of the product conducted by an independent accredited laboratory in accordance with the specified referenced standard. Actual fenestration product performance may vary based on many factors, including installation, condition of the wall/roof substrate and the age of the product and installation components.

This report indicates the product is eligible for the application of Keystone Certification Program certification labels. Licensee stipulates in affixing certification labels to products, that those products are representative of the specimen evaluated and documented for certification authorization. Only products bearing such a certification label shall be considered certified. The information in this report can be verified at www.keystonecerts.com

Authorized By:

<i>Shaun Shaul</i>	Shaun Shaul 2022.07.28 07:09:34 -04'00'
--------------------	---

Keystone Certifications, Inc. 145 Limekiln Rd, Suite 100B New Cumberland, PA 17070 Phone: 717-932-8500



Structural Performance Certification Authorization Report

Revision History

Rev #	Date	Description
0	10/21/2015	Initial Issuance
1	7/28/2022	Granted 3 Year Extension



TEST REPORT

Report No.: E9100.03-501-47

Rendered to:

POCAHONTAS ALUMINUM COMPANY, INC.
Pocahontas, Arizona

PRODUCT TYPE: PVC Horizontal Sliding Window, Type XO
SERIES/MODEL: SSL21WW

SPECIFICATION: AAMA 1701.2-12, *Voluntary Standard for Utilization in Manufactured Housing for Primary Windows and Sliding Glass Doors.*

Test Dates: 06/22/15
Through: 06/24/15
Report Date: 07/31/15

- 1.0 Report Issued To:** Pocahontas Aluminum Co., Inc.
2001 Industrial Drive
Pocahontas, Arizona 72455
- 2.0 Test Laboratory:** Architectural Testing, Inc., a subsidiary of Intertek (Intertek-ATI)
1140 Lincoln Avenue
Springdale, Pennsylvania 15144
724-275-7100
- 3.0 Project Summary:**
- 3.1 Product Type:** PVC Horizontal Sliding Window, Type XO
- 3.2 Series/Model:** SSL21WW
- 3.3 Compliance Statement:** Results obtained are tested values and were secured by using the designated test method(s). The sample tested successfully met the performance requirements listed in the referenced specification(s).
- 3.4 Test Dates:** 06/22/2015 – 06/24/2015
- 3.5 Test Record Retention End Date:** All test records for this report will be retained until July 1, 2019.
- 3.6 Test Location:** Veka Inc. test facility in Fombell, Pennsylvania.
- 3.7 Test Sample Source:** The test specimens were provided by the client. Representative samples of the test specimen(s) will be retained by Intertek-ATI for a minimum of four years from the test completion date.
- 3.8 Drawing Reference:** The test specimen drawings have been reviewed by Intertek-ATI and are representative of the test specimen(s) reported herein. Test specimen construction was verified by Intertek-ATI per the drawings located in Appendix A. Any deviations are documented herein or on the drawings.
- 3.9 List of Official Observers:**
- | <u>Name</u> | <u>Company</u> |
|-----------------|----------------|
| Doug Merry | Veka Inc. |
| Cornell Charles | Veka Inc. |
| Joseph Allison | Intertek-ATI |

4.0 Test Specification(s):

AAMA 1701.2-12, *Voluntary Standard for Utilization in Manufactured Housing for Primary Windows and Sliding Glass Doors.*

Code of Federal Regulations, Part 3280 - *Manufactured Home Construction and Safety Standards*, Subpart D, Section 3280.305(c)(1)(ii)(B).

5.0 Test Specimen Description:

5.1 Product Sizes:

Test Specimen #1:

Overall Area: 2.8 m ² (30.0 ft ²)	Width		Height	
	millimeters	inches	millimeters	inches
Overall size	1829	72	1524	60
Sash size	914	36	1470	57-7/8
Screen size	895	35-1/4	1486	58-1/2

Test Specimen #2:

Overall Area: 2.1 m ² (22.2 ft ²)	Width		Height	
	millimeters	inches	millimeters	inches
Overall size	1626	64	1270	50
Sash size	813	32	1216	47-7/8
Screen size	794	31-1/4	1232	48-1/2

The following descriptions apply to all specimens.

5.2 Frame Construction:

Frame Member	Material	Description
Head, sill, jambs, fixed stile, roller track	PVC	Extruded

	Joinery Type	Detail
All corners	Mitered	Thermally welded
Fixed stile	Square-cut and coped	Fastened with four #8 x 2" truss head screws, two at each end, and sealed with a silicone sealant
Roller track	Square-cut	Snap-in

5.0 Test Specimen Description: (Continued)

5.3 Sash Construction:

Sash Member	Material	Description
All rails and stiles	PVC	Extruded

	Joinery Type	Detail
All corners	Mitered	Thermally welded

5.4 Weatherstripping:

Description	Quantity	Location
0.187" backed x 0.250" high center fin pile	1 Row	Top rail, bottom rail, stiles

5.5 Glazing: *No conclusions of any kind regarding the adequacy or inadequacy of the glass in any glazed test specimen(s) can be made.*

Test Specimen #1:

Glass Type	Spacer Type	Interior Lite	Exterior Lite	Glazing Method
5/8" IG	Rectangular-shaped steel, single sealed	1/8" annealed	1/8" annealed	The glass was set from the exterior against a silicone sealant and secured with rigid PVC glazing beads

Test Specimen #2:

Glass Type	Spacer Type	Interior Lite	Exterior Lite	Glazing Method
5/8" IG	Rectangular-shaped steel, single sealed	3/32" annealed	3/32" annealed	The glass was set from the exterior against a silicone sealant and secured with rigid PVC glazing beads

Location	Quantity	Daylight Opening		Glass Bite
		millimeters	inches	
Specimen #1 sash	1	810 x 1391	32-7/8 x 54-3/4	5/8"
Specimen #1 frame	1	841 x 1457	33-1/8 x 57-3/8	5/8"
Specimen #1 sash	1	733 x 1137	28-7/8 x 44-3/4	5/8"
Specimen #1 frame	1	740 x 1203	29-1/8 x 47-3/8	5/8"

5.0 Test Specimen Description: (Continued)

5.6 Drainage:

Drainage Method	Size	Quantity	Location
Weepslot	9/16" wide by 5/32" high	2	Exterior sill face, one 1-1/2" in from each end.
Weepslot	9/16" wide by 5/32" deep	2	Interior sill track, one at each end.
Weepslot	9/16" wide by 5/32" high	2	Intermediate sill wall, one at each end

5.7 Hardware:

Description	Quantity	Location
Metal cam lock	2	Lock rail, one 10" in from each end with mating metal keepers on the fixed meeting stile.
Dual metal rollers with plastic housing	2	Bottom rail, one at each end

5.8 Reinforcement:

Drawing Number	Location	Material
S-3832	Fixed stile, lock stile	Extruded aluminum

5.9 Screen Construction:

Frame Material	Corner Construction	Mesh Type	Mesh Attachment Method
Roll-formed aluminum	Square-cut and secured with snap-in plastic corner keys	Fiber	Flexible vinyl spline

6.0 Installation:

The specimen was installed into a Spruce-Pine-Fir wood buck. The rough opening allowed for a 1/8" shim space. The nail fin perimeter of the window was sealed with a silicone sealant.

Location	Anchor Description	Anchor Location
Integral nail fin	#8 x 2" long truss head screws	Nominally spaced at 9" on center, and beginning 2" in from each corner, with an additional three screw cluster at each end of the fixed meeting stile

7.0 Test Results: The temperature during testing was 21°C (70°F). The results are tabulated as follows:

Test Specimen #1:

Title of Test	Results	Allowed	Note
Structural Performance, per ASTM E 330 +1190 Pa (+25.0 psf) -595 Pa (-12.5 psf)	Pass	No damage	2, 3
Air Leakage, per ASTM E 283 at 75 Pa (1.57 psf)	0.4 L/s/m ² (0.08 cfm/ft ²)	2.5 L/s/m ² (0.5 cfm/ft ²) max.	
Water Penetration, per ASTM E 547 at 220 Pa (4.60 psf)	Pass	No leakage	1

Test Specimen #2:

Title of Test	Results	Allowed	Note
Structural Performance, per ASTM E 330 +1190 Pa (+25.0 psf) -595 Pa (-12.5 psf)	Pass	No damage	2, 3
Air Leakage, per ASTM E 283 at 75 Pa (1.57 psf)	0.5 L/s/m ² (0.09 cfm/ft ²)	2.5 L/s/m ² (0.5 cfm/ft ²) max.	
Water Penetration, per ASTM E 547 at 220 Pa (4.60 psf)	Pass	No leakage	1
Optional Performance (24 CFR 3280.305(c))			
Uniform Load Structural, per ASTM E 330 +2200 Pa (+46.00 psf) -2200 Pa (-46.00 psf)	Pass	No damage	2, 3

Note 1: With and without insect screen.

Note 2: Loads were held for 10 seconds.

Note 3: Tape and film were used to seal against air leakage during structural testing. In our opinion, the tape and film did not influence the results of the test.



Intertek-ATI will service this report for the entire test record retention period. Test records that are retained such as detailed drawings, datasheets, representative samples of test specimens, or other pertinent project documentation will be retained by Intertek-ATI for the entire test record retention period.

This report does not constitute certification of this product nor an opinion or endorsement by this laboratory. It is the exclusive property of the client so named herein and relates only to the specimen(s) tested. This report may not be reproduced, except in full, without the written approval of Intertek-ATI.

For INTERTEK-ATI

Joseph E. Allison
Senior Technician

Lynn George
Director – Regional Operations

JEA:sld

Attachments (pages): This report is complete only when all attachments listed are included.
Appendix-A: Drawings (2) Complete drawings packet on file with Intertek-ATI



Test Report No.: E9100.03-501-47

Report Date: 07/31/15

Architectural Testing

Appendix A

Drawings

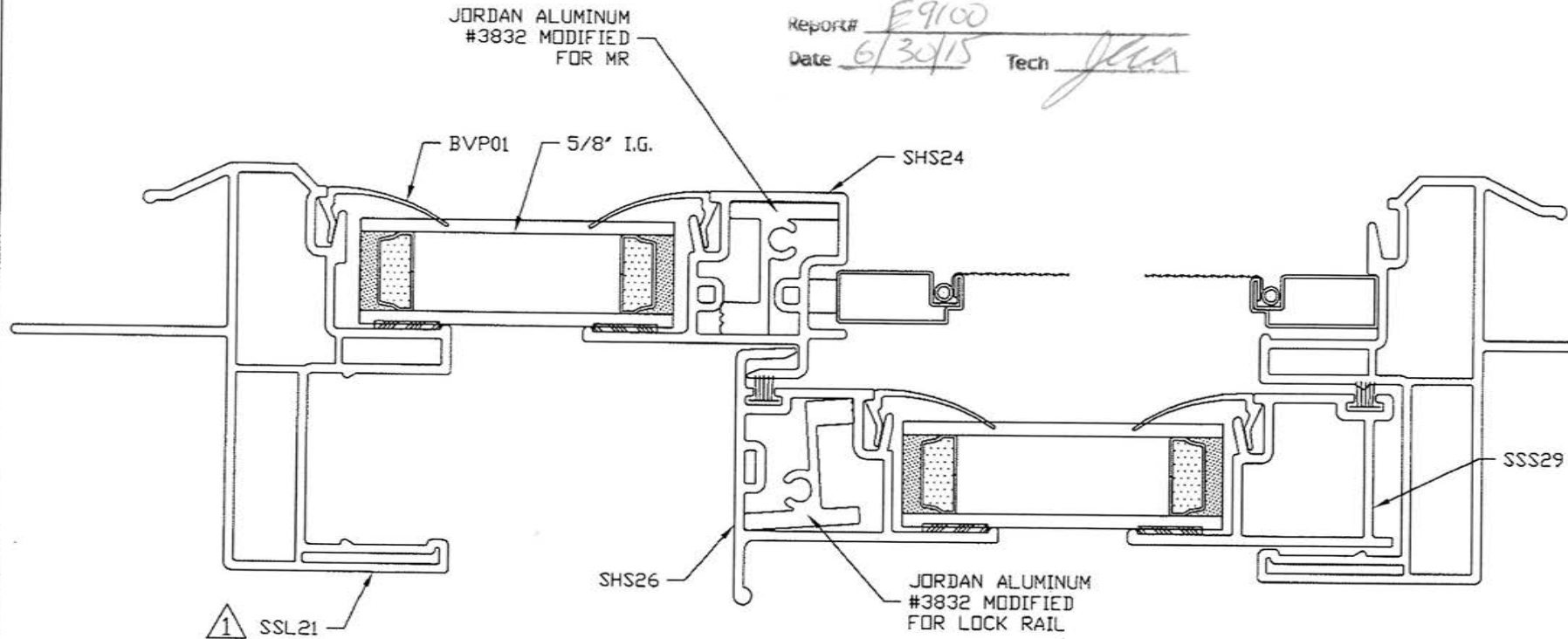
Note: Complete drawings packet on file with Intertek-ATI



Test sample complies with these details.
Deviations are noted.

Report# E9100
Date 6/30/15 Tech JCA

NOTE:
FOR OTHER PROFILE, GLAZING BEAD,
& GLASS OPTIONS, PLEASE SEE THE
LINEAL PROFILE CHARTS FOR THIS
SYSTEM.



POCAHONTAS

The information, design or data shown on this document or electronic media is the exclusive property of Veka Inc.. It is considered confidential and proprietary and is made available for limited use only. Its use or reproduction without the expressed written consent of Veka Inc. is prohibited.

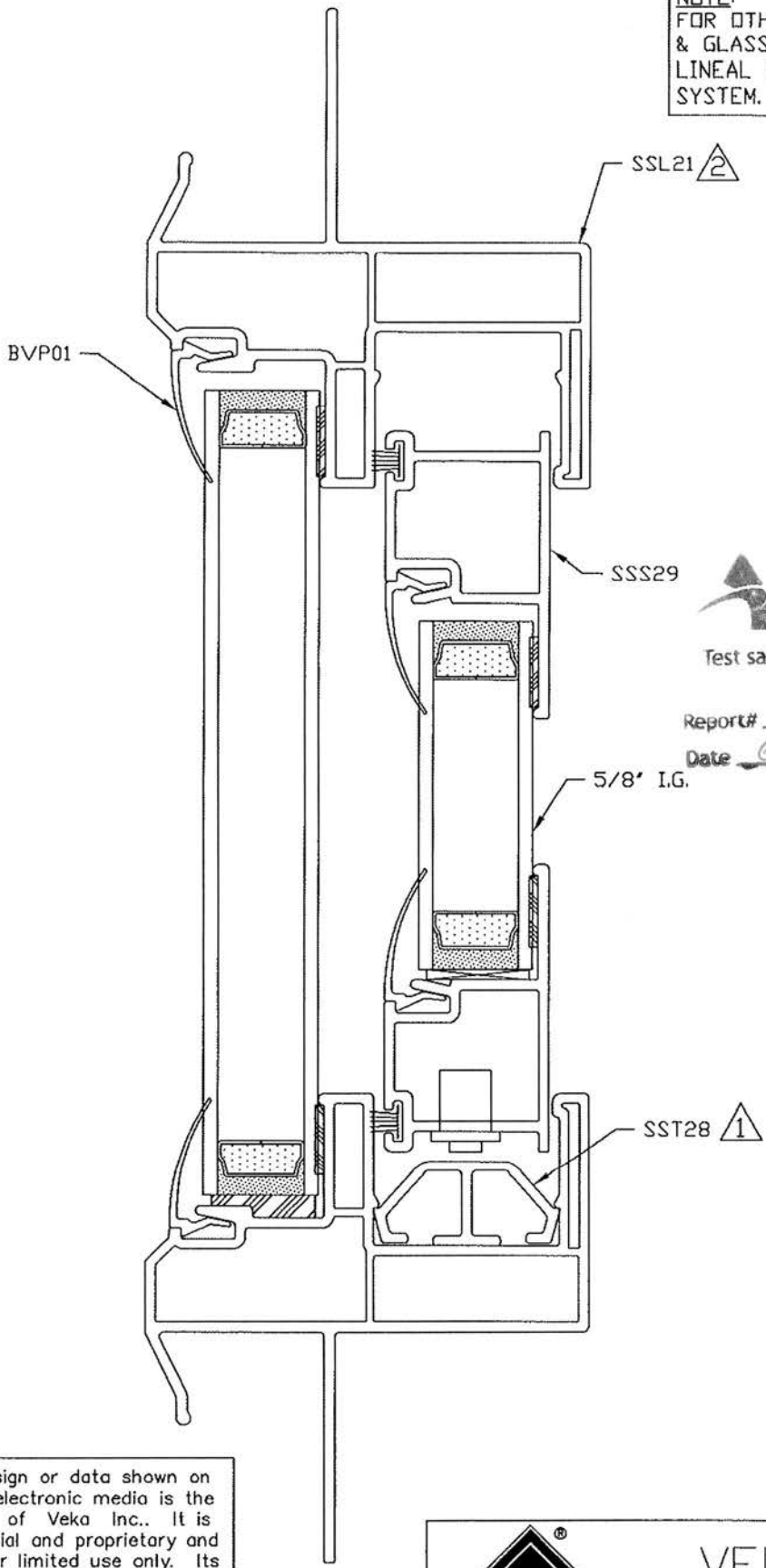
REVISIONS	DATE
1	13 SEPT 02



VEKA INC.
100 VEKA DRIVE
FOMBELL, PA 16123

DRAWN: JMN	DATE: 9 JUNE 99	SCALE: FULL
CHK'D:	DATE:	APP'D:
TITLE: SINGLE SLIDER SSL21WW HORIZONTAL ASSEMBLY		DWG. # SSL21WW-H

NOTE:
 FOR OTHER PROFILE, GLAZING BEAD,
 & GLASS OPTIONS, PLEASE SEE THE
 LINEAL PROFILE CHARTS FOR THIS
 SYSTEM.



Architectural Testing
 Test sample complies with these details.
 Deviations are noted.
 Report# E9100
 Date 6/30/15 Tech [Signature]

The information, design or data shown on this document or electronic media is the exclusive property of Veka Inc.. It is considered confidential and proprietary and is made available for limited use only. Its use or reproduction without the expressed written consent of Veka Inc. is prohibited.



VEKA INC.
 100 VEKA DRIVE
 FOMBELL, PA 16123

2	UPDATED SSL21	13 SEPT 02	DRAWN: JMN	DATE: 9 JUNE 99	SCALE: FULL
1	REPLACED SSI28 WITH SST28	12 SEPT 02	CHK'D:	DATE:	APPV'D:
	REVISIONS	DATE	TITLE SINGLE SLIDER SSL21WW VERTICAL ASSEMBLY		DWG. # SSL21WW-V