



# Structural Performance Certification Authorization Report

## Pocahontas Aluminum Company, Inc.

PO Box 756, 2001 Industrial Drive  
Pocahontas, AR 72455, USA

Certification ID:	757-129
Company Code:	757
Certification Date:	12/14/2015
Revision No:	1
Revision Date:	10/6/2022
Expiration Date:	11/30/2025

### Product Rating Information:

Model:	100 HS Aluminum Horizontal Slider XO			
Operator Type:	HS			
Configuration:	No			
Referenced Standard:	AAMA 1701.2-12 / FMHC&S Std. 3280.403			
Product Rating:	Wind Zone I @ +25/-12.5 psf, 62x53 XO			
Rated Dimensions:	Max Width:	62 in	Max Height:	53 in

### Qualifying Test Information:

Test Report No:	ATI-F3054.01-801-44
Test Report Expiration:	11/30/2025

This Certification Authorization Report (CAR) is issued by Keystone Certifications, Inc. (KCI) after full validation review, and is based on a standardized evaluation of the product conducted by an independent accredited laboratory in accordance with the specified referenced standard. Actual fenestration product performance may vary based on many factors, including installation, condition of the wall/roof substrate and the age of the product and installation components.

This report indicates the product is eligible for the application of Keystone Certification Program certification labels. Licensee stipulates in affixing certification labels to products, that those products are representative of the specimen evaluated and documented for certification authorization. Only products bearing such a certification label shall be considered certified. The information in this report can be verified at [www.keystonecerts.com](http://www.keystonecerts.com)



### Authorized By:

*Shaun Shaull* Shaun Shaull  
2022.10.06 08:27:05  
-04'00'

Keystone Certifications, Inc.  
145 Limekiln Rd, Suite 100B  
New Cumberland, PA 17070  
Phone: 717-932-8500



# Structural Performance Certification Authorization Report

## Revision History

Rev #	Date	Description
0	12/14/2015	Initial Issuance
1	10/6/2022	Granted 3 Year Extension



# Structural Performance Certification Authorization Report

## Pocahontas Aluminum Company, Inc.

PO Box 756, 2001 Industrial Drive  
Pocahontas, AR 72455, USA

Certification ID:	757-130
Company Code:	757
Certification Date:	12/14/2015
Revision No:	1
Revision Date:	10/6/2022
Expiration Date:	11/30/2025

### Product Rating Information:

Model:	100 HS Aluminum Horizontal Slider XO			
Operator Type:	HS			
Configuration:	No			
Referenced Standard:	AAMA 1701.2-12 / FMHC&S Std. 3280.403			
Product Rating:	Wind Zone III @ 48 psf, 46x27 XO			
Rated Dimensions:	Max Width:	46 in	Max Height:	27 in

### Qualifying Test Information:

Test Report No:	ATI-F3054.01-801-44
Test Report Expiration:	11/30/2025

This Certification Authorization Report (CAR) is issued by Keystone Certifications, Inc. (KCI) after full validation review, and is based on a standardized evaluation of the product conducted by an independent accredited laboratory in accordance with the specified referenced standard. Actual fenestration product performance may vary based on many factors, including installation, condition of the wall/roof substrate and the age of the product and installation components.

This report indicates the product is eligible for the application of Keystone Certification Program certification labels. Licensee stipulates in affixing certification labels to products, that those products are representative of the specimen evaluated and documented for certification authorization. Only products bearing such a certification label shall be considered certified. The information in this report can be verified at [www.keystonecerts.com](http://www.keystonecerts.com)



### Authorized By:

*Shaun Shaull*  
Shaun Shaull  
2022.10.06 08:28:52  
-04'00'

Keystone Certifications, Inc.  
145 Limekiln Rd, Suite 100B  
New Cumberland, PA 17070  
Phone: 717-932-8500



# Structural Performance Certification Authorization Report

## Revision History

Rev #	Date	Description
0	12/14/2015	Initial Issuance
1	10/6/2022	Granted 3 Year Extension



**TEST REPORT**

**Report No.:** F3054.01-801-44

**Rendered to:**

POCAHONTAS ALUMINUM COMPANY, INC.  
Pocahontas, Arkansas

**PRODUCT TYPE:** Horizontal Slider  
**SERIES/MODEL:** 100

**SPECIFICATION:**

*AAMA 1701.2-02, Voluntary Standard for Utilization in Manufactured Housing for Primary Windows and Sliding Glass Doors.*

**Test Date:** 11/14/15  
**Report Date:** 11/30/15  
**Record Retention End Date:** 11/14/19



**1.0 Report Issued To:** Pocahontas Aluminum Company, Inc.  
2001 Industrial Drive P.O Box 756  
Pocahontas, Arkansas 72455

**2.0 Test Laboratory:** Intertek-ATI  
1909 10<sup>th</sup> Street Suite 100  
Plano, Texas  
(469) 814-0687

**3.0 Project Summary:**

**3.1 Product Type:** Aluminum Horizontal Slider

**3.2 Series/Model:** 100

**3.3 Compliance Statement:** Results obtained are tested values and were secured by using the designated test method(s). The sample tested successfully met the performance requirements listed in the referenced specification(s).

**3.4 Test Date:** 11/14/2015

**3.5 Test Record Retention End Date:** All test records for this report will be retained until November 14, 2019.

**3.6 Test Location:** Intertek-ATI testing facility in Plano, Texas.

**3.7 Test Sample Source:** The test specimen was provided by the client.

**3.8 List of Official Observers:**

<u>Name</u>	<u>Company</u>
Clint Barnett	Architectural Testing, Inc.
Ken Akins	Pocahontas Aluminum Company

**4.0 Test Specification(s):**

*AAMA 1701.2-02, Voluntary Standard for Utilization in Manufactured Housing for Primary Windows and Sliding Glass Doors.*

**5.0 Test Specimen Description:**

**5.1 Product Sizes:**

**Test Specimen #1**

<b>Overall Area:</b> 2.1 m <sup>2</sup> (23 ft <sup>2</sup> )	<b>Width</b>		<b>Height</b>	
	<b>millimeters</b>	<b>inches</b>	<b>millimeters</b>	<b>inches</b>
Overall size	1575	62	1346	53
Sash	794	31-1/4	1327	52-1/4
Screen	787	31	1321	52

**Test Specimen #2**

<b>Overall Area:</b> 0.84 m <sup>2</sup> (9 ft <sup>2</sup> )	<b>Width</b>		<b>Height</b>	
	<b>millimeters</b>	<b>inches</b>	<b>millimeters</b>	<b>inches</b>
Overall size	1168	46	686	27
Sash	591	23-1/4	629	24-3/4
Screen	578	22-3/4	660	26

**5.0 Test Specimen Description: (Continued)**

**5.2 Frame Construction:**

<b>Frame Member</b>	<b>Material</b>	<b>Description</b>
All members	Mill finish aluminum	Extruded

	<b>Joinery Type</b>	<b>Detail</b>
Frame corners	Coped and butted	Coped, butted, sealed, and fastened using one #6 x 1" Phillips pan head screw
Fixed interlock	Coped and butted	Fastened to each jamb using one #6 x 1/2" pan head screw

**5.3 Sash Construction:**

<b>Sash Member</b>	<b>Material</b>	<b>Description</b>
All members	Mill finish aluminum	Extruded

	<b>Joinery Type</b>	<b>Detail</b>
All corners	Coped and butted	Coped, butted, sealed, and fastened using one #6 x 1" Phillips pan head screw



**5.0 Test Specimen Description:** (Continued)

**5.4 Weatherstripping:**

Description	Quantity	Location
0.187" x 0.270" pile with fin	2 rows	Exterior face of stiles
0.100" x 0.152" vinyl fin	1 row	Sash top rail, inside of interlock
0.100" x 0.375" vinyl bulb	1 row	Sash stile

**5.5 Glazing:** *No conclusions of any kind regarding the adequacy or inadequacy of the glass in any glazed test specimen(s) can be made.*

Glass Type	Glazing	Glazing Method
Monolithic	3/32 Annealed	Interior Wet Glazed

Location	Quantity	Daylight Opening		Glass Bite
		millimeters	inches	
Sash Specimen # 1	1	749 x 1295	29-1/2 x 51	0.50
Fixed lite Specimen# 1	1	749 x 1295	29-1/2 x 51	0.50
Sash Specimen # 2	1	546 x 629	21-1/2 x 24-3/4	0.50
Fixed lite Specimen# 2	1	546 x 629	21-1/2 x 24-3/4	0.50

**5.6 Drainage:**

Drainage Method	Size	Quantity	Location
Weep notch	3/16" x 1-5/8"	2	Exterior sill leg, 7/8" on center spacing from outside edge of jambs.

**5.7 Hardware:**

Description	Quantity	Location
Spring latches	1	Center Sash

### 6.0 Installation:

The specimen was installed into a Spruce-Pine-Fir wood buck. The rough opening allowed for a 1/4" shim space.

<b>Location</b>	<b>Anchor Description</b>	<b>Anchor Location</b>
Nailing flange	#6 x 1-5/8" screw	4" from each corner and 8" on center thereafter

**7.0 Test Results:** The temperature during testing was 27°C (70°F). The results are tabulated as follows:

**Test Specimen #1 62 x 53**

Title of Test	Results	Allowed	Note
<b>Structural Performance,</b> per ASTM E 330 +1190 Pa (+25.0 psf) -595 Pa (-12.5 psf)	Pass	No damage	2, 3
<b>Air Leakage,</b> per ASTM E 283 at 75 Pa (1.57 psf)	2.5 L/s/m <sup>2</sup> (0.50 cfm/ft <sup>2</sup> )	2.5 L/s/m <sup>2</sup> (0.5 cfm/ft <sup>2</sup> ) max.	
<b>Water Penetration,</b> per ASTM E 547 at 140 Pa (2.92 psf)	Pass	No leakage	1

**Test Specimen #2 46 x 27**

Title of Test	Results	Allowed	Note
<b>Optional Performance (24 CFR 3280.305(c))</b>			
<b>Uniform Load Structural,</b> per ASTM E 330 +2298 Pa (+48.00 psf) -2298 Pa (-48.00 psf)	Pass	No damage	2, 3

*Note 1: With and without insect screen.*

*Note 2: Loads were held for 10 seconds.*

*Note 3: Tape and film were used to seal against air leakage during structural testing. In our opinion, the tape and film did not influence the results of the test.*

Architectural Testing will service this report for the entire test record retention period. Test records that are retained such as detailed drawings, datasheets, representative samples of test specimens, or other pertinent project documentation will be retained by Architectural Testing, Inc. for the entire test record retention period.

This report does not constitute certification of this product nor an opinion or endorsement by this laboratory. It is the exclusive property of the client so named herein and relates only to the specimen(s) tested. This report may not be reproduced, except in full, without the written approval of Architectural Testing, Inc.

For ARCHITECTURAL TESTING, Inc.

---

Clint Barnett  
Technician

---


Andy Cost  
Laboratory Manager

CB:ac

Attachments (pages): This report is complete only when all attachments listed are included.  
Appendix-A: Drawing(s) (9) Complete drawings packet on file with Architectural Testing, Inc.

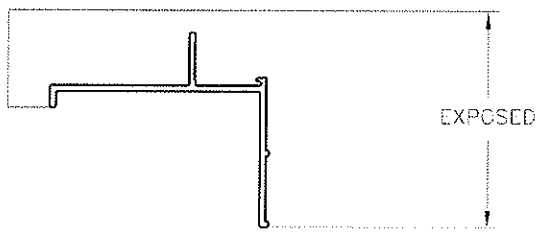
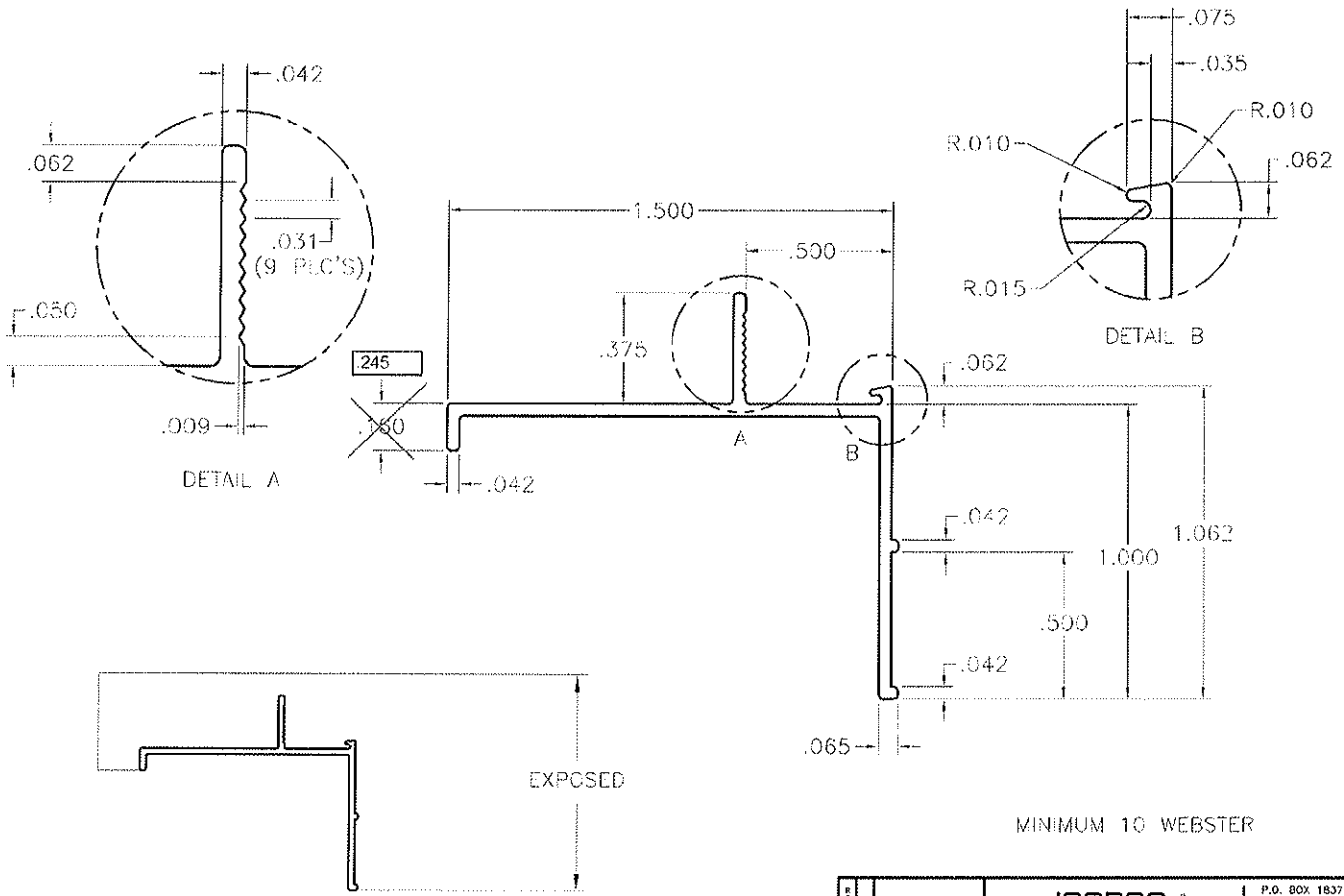
## **APPENDIX A**

### **Drawings**


  
 F3054.01
   
 W/2015 CM

ALUMINUM ASSOCIATION STD TOLERANCES APPLY UNLESS NOTED  
 .042 TYP. WALL EXCEPT AS SHOWN. BREAK SHARP CORNERS 0.016 R

FILE NO. S-2735

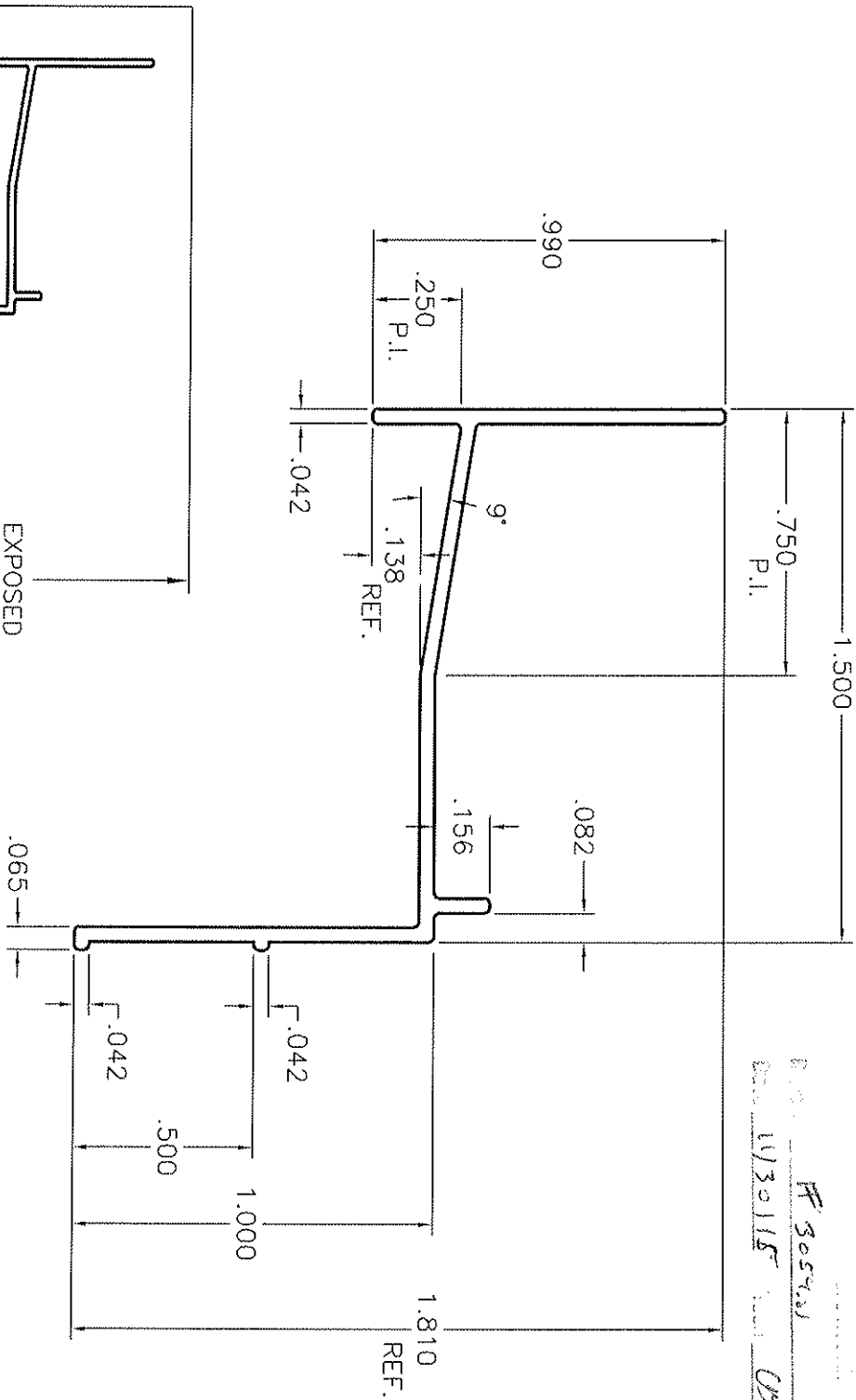


ACTUAL SIZE

MINIMUM 10 WEBSTER

<input checked="" type="checkbox"/> SKID <input type="checkbox"/> BOM FELLOW <input type="checkbox"/> FELLOW FLIPS		JORDAN P.O. BOX 18377 MEMPHIS, TN, 38118 PHONE (901) 363-2121	
		CUSTOMER: POCAHONTAS ALUMINUM PART NO.	
INCH: .127 MET: .152 PART: 6.191	SER. NO.: 6063-16 LVL: 1.3 PL: 1.3	HEAD: HEADUP FLUSH MOUNT MAT: CAS DATE: 5-1-02	SCALE: 1:1 DR: 02050101 DT: S-2735

ALUMINUM ASSOCIATION STD TOLERANCES APPLY UNLESS NOTED  
 .042 TYP. WALL EXCEPT AS SHOWN. BREAK SHARP CORNERS 0.016 R



*Handwritten notes:*  
 # 3054  
 Date 11/30/15  
 (initials)  
 (initials)

MINIMUM 10 WEBSTER

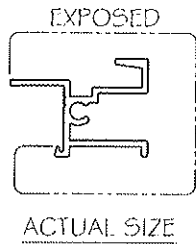
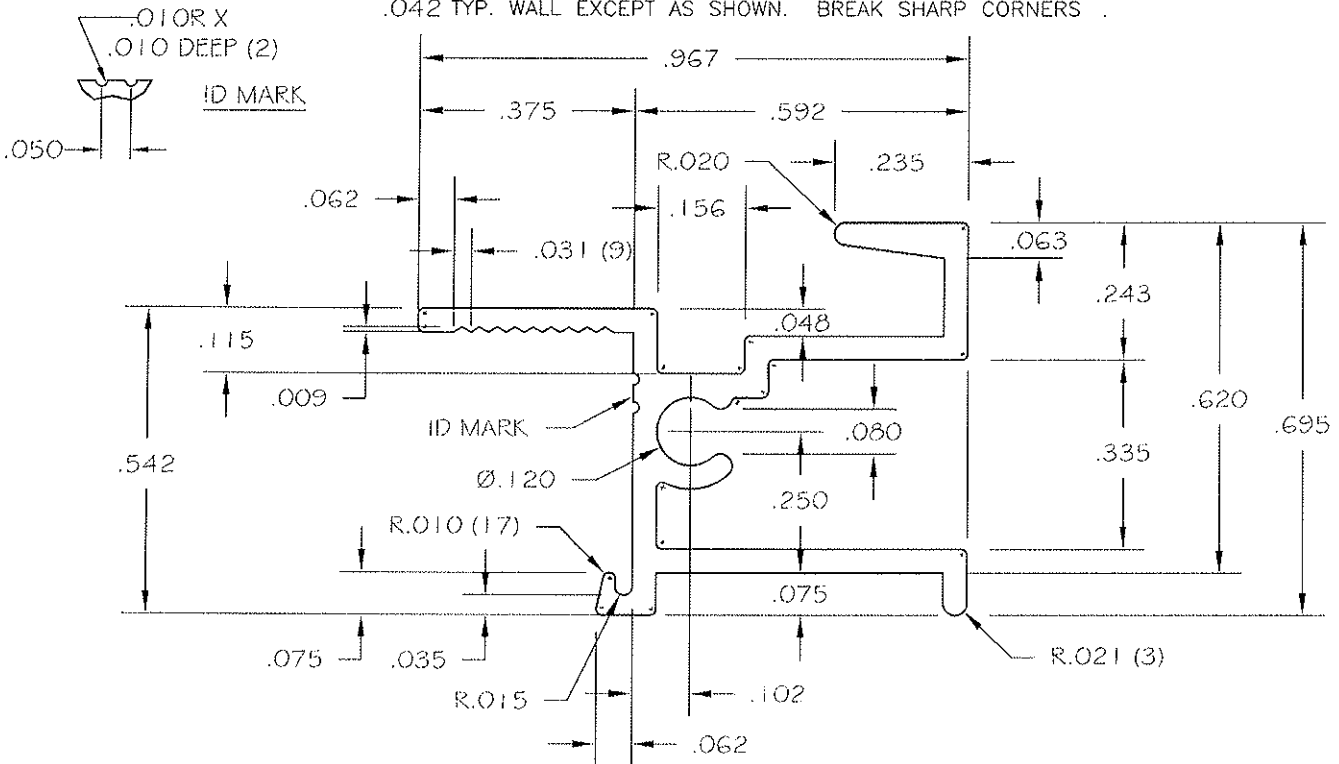
DWG NO. S-2734

ACTUAL SIZE

<b>JORDAN</b>		<b>POCAHONTAS ALUMINUM</b>	
P.O. BOX 18377		P.O. BOX 18377	
MEMPHIS, TN, 38118		MEMPHIS, TN, 38118	
PHONE (901) 363-2121		PHONE (901) 363-2121	
<input checked="" type="checkbox"/> STOCK <input type="checkbox"/> NON-STOCK .151 2.4 .181 2.4 7.200 2.4	<input type="checkbox"/> SILL FLUSH MOUNT <input type="checkbox"/> CAS 02050102	PART NO. 6063-16 02050102	PART NO. SILL FLUSH MOUNT CAS 02050102

ALUMINUM ASSOCIATION STD TOLERANCES APPLY UNLESS NOTED  
 .042 TYP. WALL EXCEPT AS SHOWN. BREAK SHARP CORNERS

DIE NO. 5-3606 REV.



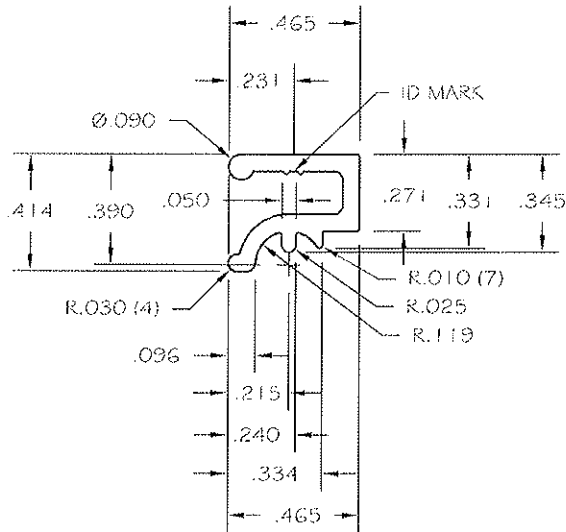
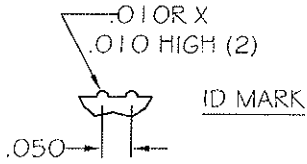
R E V I S I O N S	<b>JORDAN</b>			P.O. BOX 752268 MEMPHIS, TN, 38175-2268 PHONE (800) 833-4590 PHONE (901) 866-2665 FAX (901) 363-8226		
				CUSTOMER POCAHONTAS ALUMINUM		
				PART NO.		
	<input checked="" type="checkbox"/> SOLID <input type="checkbox"/> SEMI HOLLOW <input type="checkbox"/> HOLLOW CLASS			END USE FIXED MEETING BAR		
	AREA	WT/FT	ALLOY	SCALE	DWN BY	DATE
.118	.142	6063T6	4:1	DLB	6/18/2010	
PERM	IN.	CAVITY SIZE	DRG. NO.	10061601 POCAHONTAS - FMR		
OUTSIDE PERM	HI.	CAVITY AREA	DE NO.	5-3606		

*Handwritten notes:*  
 APPROVAL  
 F3059.01  
 11/30/15

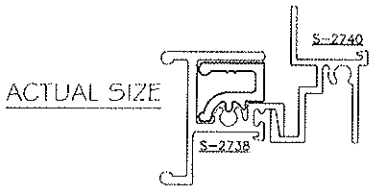


ALUMINUM ASSOCIATION STD TOLERANCES APPLY UNLESS NOTED  
 .060 TYP. WALL EXCEPT AS SHOWN. BREAK SHARP CORNERS .010R

DIE NO. S-3254 REV.



THIS PART MUST SLIDE FIT WITH S-2738 IN 3 FT LENGTHS



REVISIONS	<b>JORDAN</b>		P.O. BOX 18377 MEMPHIS, TN, 38118 PHONE (901) 363-2121	
	<input checked="" type="checkbox"/> SOLID <input type="checkbox"/> SEMI HOLLOW <input type="checkbox"/> HOLLOW CLASS		CUSTOMER <b>POCAHONTAS</b>	
	AREA .077	SQ. IN.	ALLOY 6063T6	D/D USE SASH TOP RAIL REINFORCEMENT
	WT/FT .092	LBS.	C.C.D. 0.6	SCALE 2:1    DWG. BY DLB    DATE 1/2-4/2008
PERM 2.573	IN.	CAVITY SIZE	DWG. NO. 08012401 POCAHONTAS	
OUTSIDE PERM	IN.	CAVITY AREA	SQ. IN.	DIE NO. S-3254

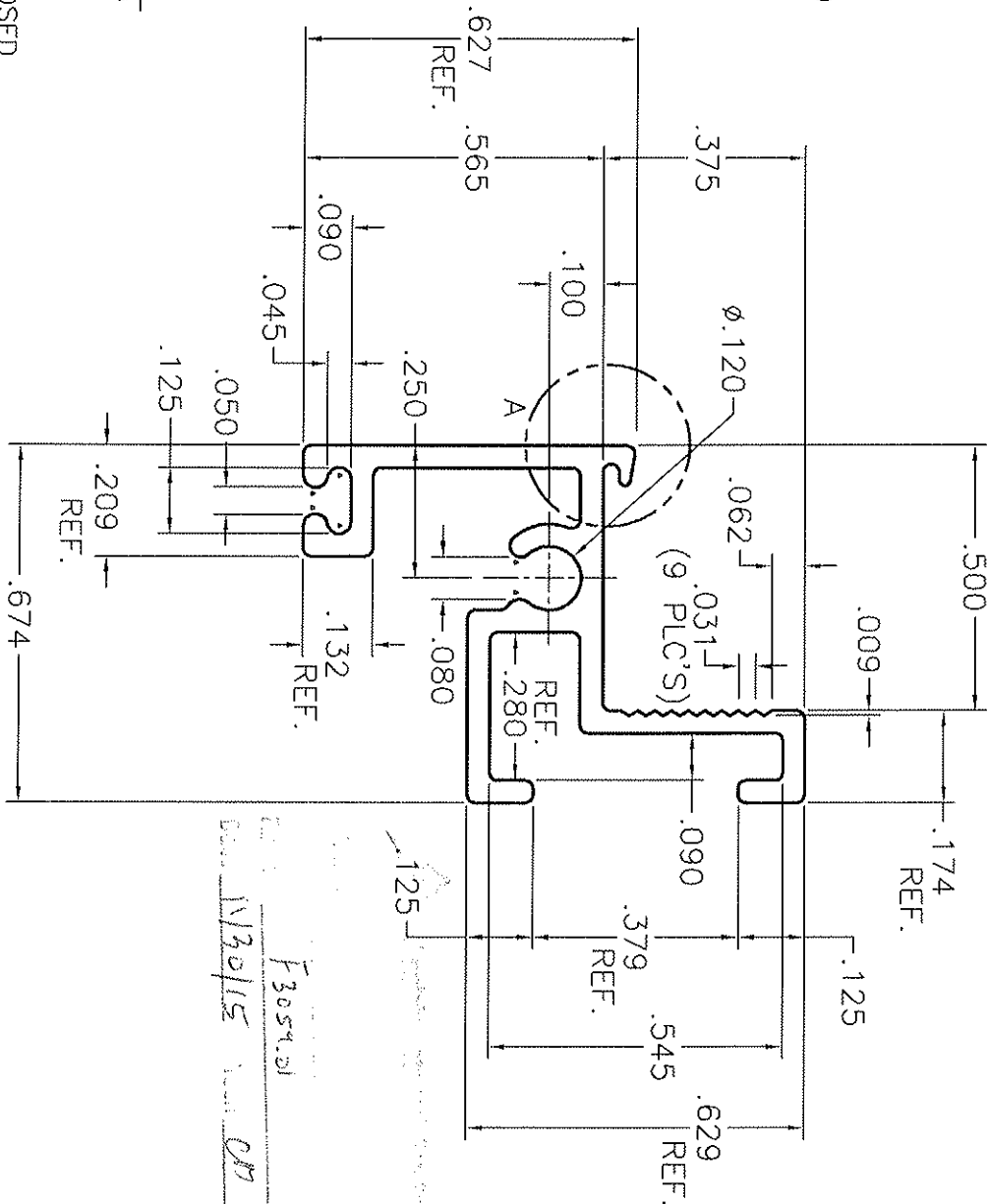
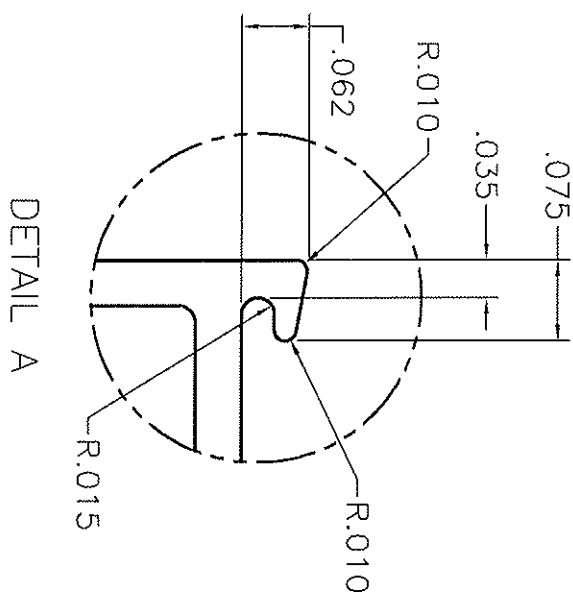
*Architectural drawing*

*F3054.01*

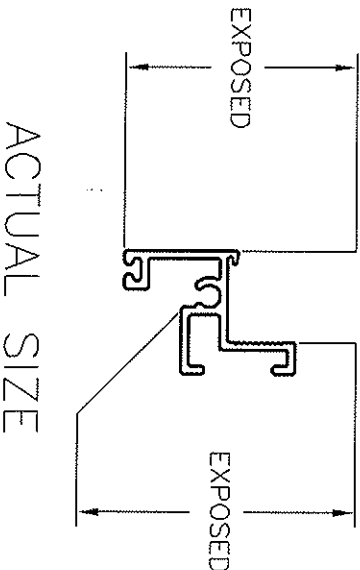
*11/20/15*

ALUMINUM ASSOCIATION STD TOLERANCES APPLY UNLESS NOTED  
 .042 TYP. WALL EXCEPT AS SHOWN. BREAK SHARP CORNERS 0.016 R

NO. S-2736



MINIMUM 10 WEBSTER



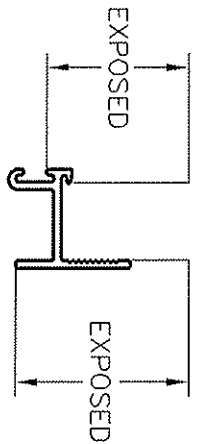
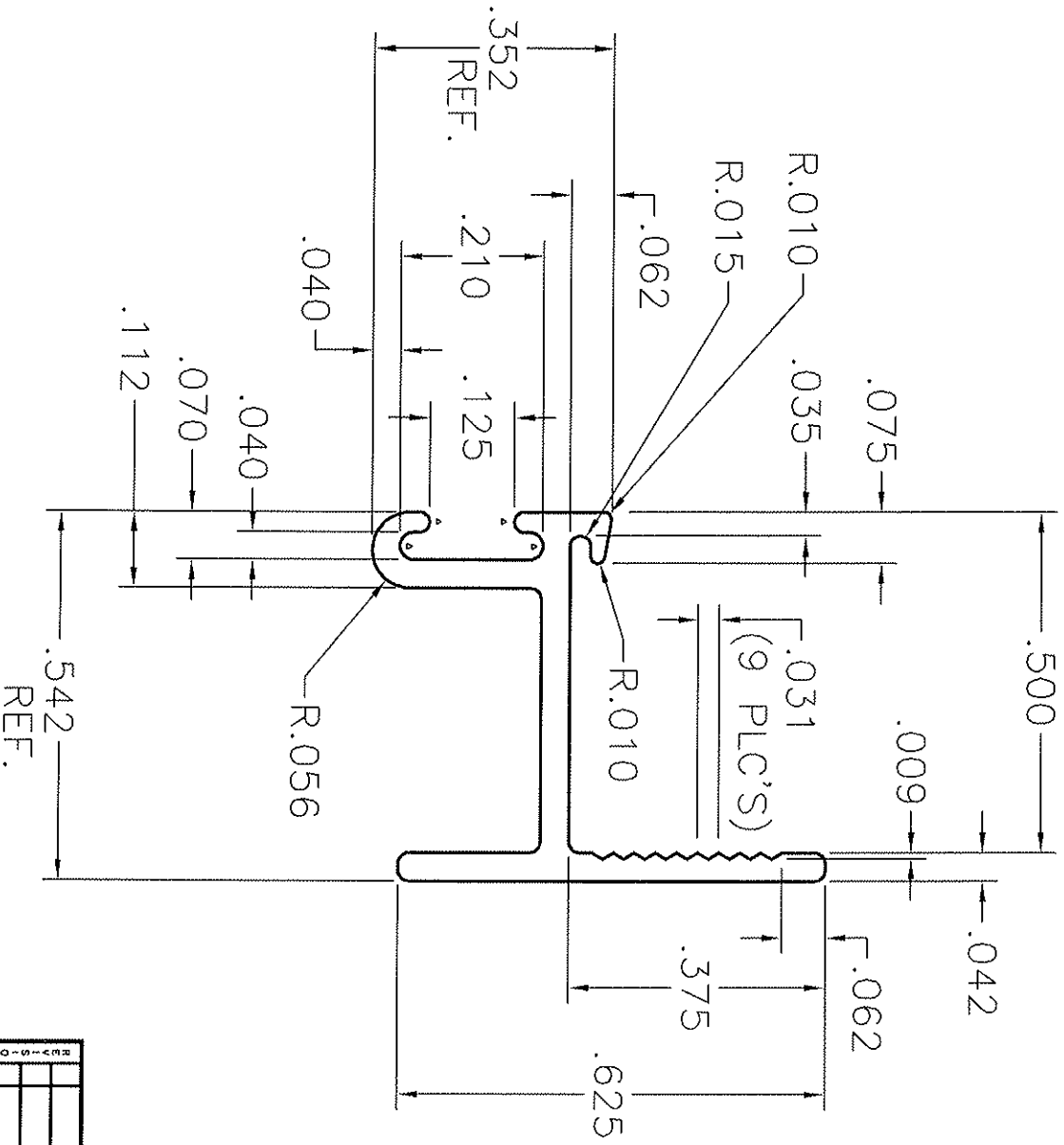
ACTUAL SIZE

(Δ) FULL R.  
(6) PLC'S

<input checked="" type="checkbox"/> 20-9-C-3 <input type="checkbox"/> 20-9-C-4 <input type="checkbox"/> 20-9-C-5		<b>JORDAN</b> P.O. BOX 18377 MEMPHIS, TN 38118 PHONE (901) 363-2121	
<input checked="" type="checkbox"/> 6063-T6 <input type="checkbox"/> 6063-T5 <input type="checkbox"/> 6063-T52	6063-T6 6063-T5 6063-T52	6063-T6 6063-T5 6063-T52	6063-T6 6063-T5 6063-T52
.119 1.43 5.505	6063-T6 6063-T5 6063-T52	6063-T6 6063-T5 6063-T52	6063-T6 6063-T5 6063-T52
1.1 1.1 1.1	1.1 1.1 1.1	1.1 1.1 1.1	1.1 1.1 1.1
02050104 02050104 02050104	02050104 02050104 02050104	02050104 02050104 02050104	02050104 02050104 02050104
S-2736 S-2736 S-2736	S-2736 S-2736 S-2736	S-2736 S-2736 S-2736	S-2736 S-2736 S-2736

*F3054.01*  
*6063-T6*  
*1/32" PLCS*  
*CP*

ALUMINUM ASSOCIATION STD TOLERANCES APPLY UNLESS NOTED  
 .042 TYP. WALL EXCEPT AS SHOWN. BREAK SHARP CORNERS 0.016 R



ACTUAL SIZE

(Δ) FULL R.  
 (4 PLC'S)

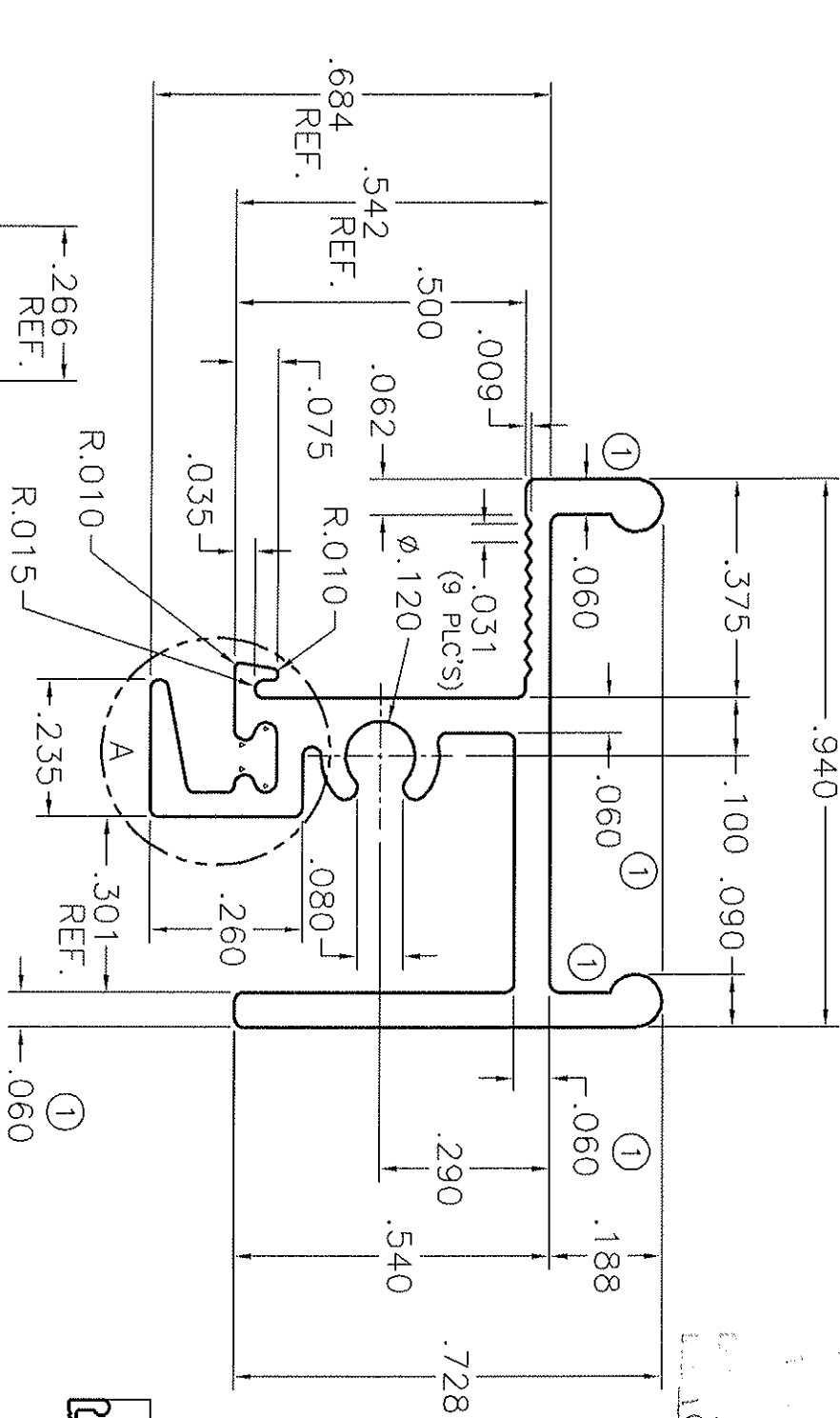
*Handwritten notes:*  
 F-3054.01  
 Date: 11/30/16  
 1001 CD

MINIMUM 10 WEBSTER

<b>JORDAN</b> P.O. BOX 18377 MEMPHIS, TN, 38118 PHONE (901) 365-2121		CUSTOMER: POCAHONTAS ALUMINUM PART NO.: SCALE: VERTICAL RAIL SLIDING DATE: 5-1-02	
FIELD: .063 W/WT: .076 PART: 3.193	PART NO.: 6063-16 SCALE: 0.9 PART: 02050105	ORDER NO.: SCALE: VERTICAL RAIL SLIDING DATE: 5-1-02	ORDER NO.: SCALE: VERTICAL RAIL SLIDING DATE: 5-1-02

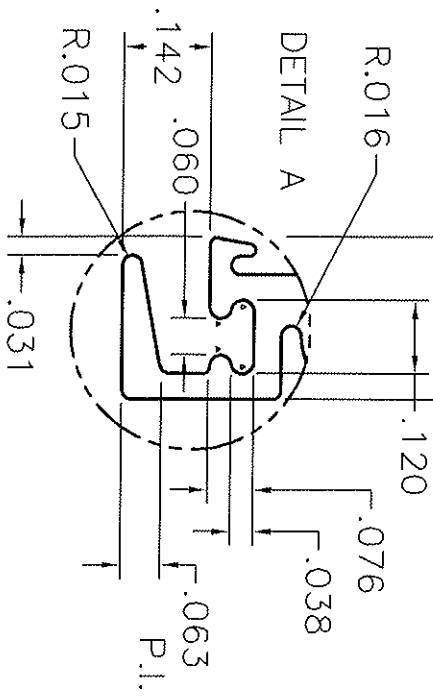
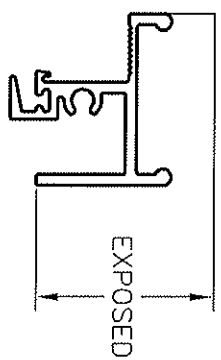
ALUMINUM ASSOCIATION STD TOLERANCES APPLY UNLESS NOTED  
 .042 TYP. WALL EXCEPT AS SHOWN. BREAK SHARP CORNERS 0.016 R

111  
 S-2738



(Δ) FULL R.  
 (4 PLC'S)

MINIMUM 10 WEBSTER



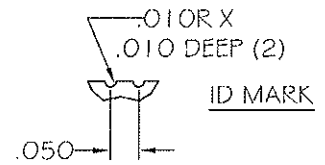
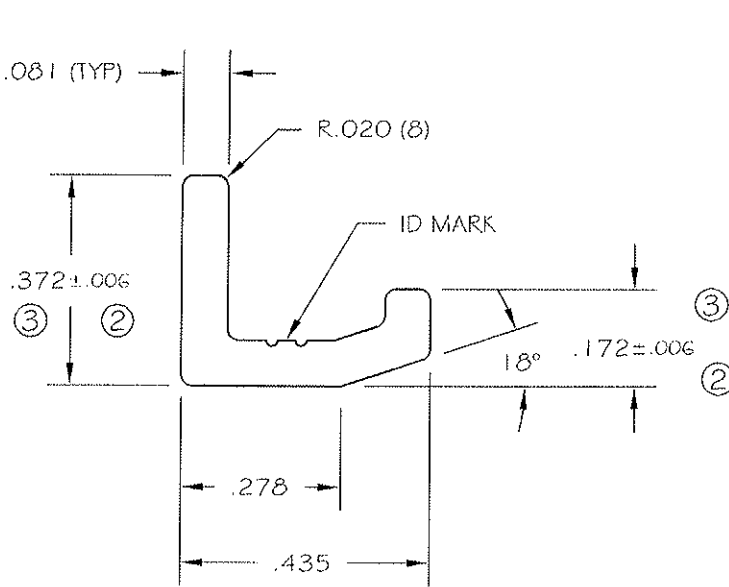
*F3054.01*  
*11/30/15*  
*04*

REV	1	1080 WAS .042, ADD LEGS
DATE	1/21/05	DLB
DESIGNER		
CHECKED		
SCALE	1:1	
QUANTITY	6298	
<b>JORDAN</b>		
POCAHONTAS ALUMINUM		
P.O. BOX 18377 MEMPHIS, TN 38118 PHONE (901) 363-2121		
FIELD	169	6063-16
ST/MT	203	TOP RAIL SLIDING
DATE	6-29-8	5-1-02
SCALE	1:1	5-2738

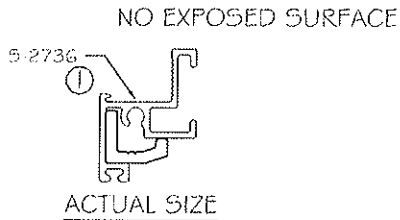
This drawing represents Jordan's interpretation of the customer's design. By your signature on this print you agree to accept the design, dimensions, tolerances, and ID mark locations as shown and Jordan assumes no liability for the functionality of either this shape and/or the end design.

DIE NO. 5-3667 REV 3

ALUMINUM ASSOCIATION STD TOLERANCES APPLY UNLESS NOTED  
 .081 TYP. WALL EXCEPT AS SHOWN. BREAK SHARP CORNERS .010R



① THIS PART MUST SLIDE FIT WITH 3-2736 IN 36 INCH LENGTHS.  
 PARTS MUST BE FREE OF TWIST TO MAINTAIN PROPER SLIDE FIT.



REVISIONS	1	ADD NOTES 9/23/2011...DLB			P.O. BOX 752268 MEMPHIS, TN, 38175-2268 PHONE (800) 833-4590 PHONE (901) 866-2665 FAX (901) 363-8226			
	2	ADD TOLERANCES 9/7/2013...DLB			CUSTOMER POCAHONTAS ALUMINUM			
	3	REVISED PER DRAWING 9/23/2011...DLB			PART NO. 3415			
			<input checked="" type="checkbox"/> SOLID <input type="checkbox"/> SEMI HOLLOW <input type="checkbox"/> HOLLOW CLASS	ALLOY 6063T5	END USE SASH BOTTOM RAIL REINF	SCALE 4:1	DWG. BY DLB	DATE 10/6/2010
		AREA .064	SO. IN.	G.C.D. 0.6				
		WT/FT .077	LBS.					
		PERM 1.724	IN.	CAVITY SIZE				
		OUTSIDE PERM	IN.	CAVITY AREA	SO.IN.			
								DIE NO. 5-3667

*Handwritten notes and signatures:*  
 F305461  
 11/30/15  
 [Signature]