

	Document Title:	Doc No:	FRM B1-02	
	Structural Performance Certification Authorization Report	Rev No: 7	Page: 1	Of: 1
Required By: PRO B1-03				

CAR & Product ID Number: 757 - 103.0
 Issue Date: 7/8/2013
 Revision Date: 1/22/2018
 Expiration Date: 4/7/2021
 Company Code: 757

This Certification Authorization Report (CAR) is issued by Keystone Certifications, Inc. (KCI) after full validation review, and is based on a standardized evaluation of the product conducted by an independent accredited laboratory in accordance with the specified referenced standard. Actual fenestration product performance may vary based on many factors, including installation, condition of the wall/roof substrate and the age of the product and installation components.

This report indicates the product is eligible for the application of Keystone Certification Program certification labels. Licensee stipulates in affixing certification labels to products, that those products are representative of the specimen evaluated and documented for certification authorization. Only products bearing such a certification label shall be considered certified. The information in this report can be verified at www.keystonecerts.com.

Licensee Information:	Product Information:
Pocahontas Aluminum Company, Inc. 2001 Industrial Drive PO Box 756 Pocahontas AR 72455	Model: SS46 PVC Single Slider XO Operator Type: HS Config: EM/IM Max Width: 72 Max Height: 48

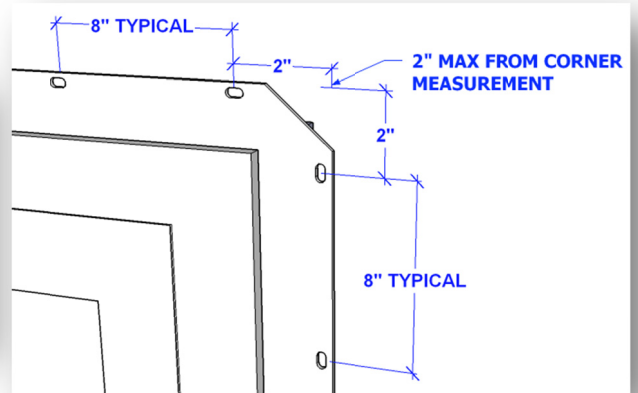
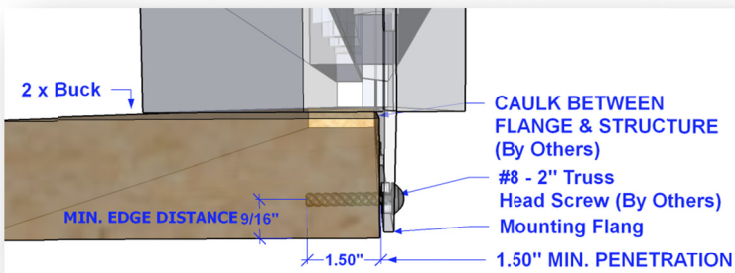
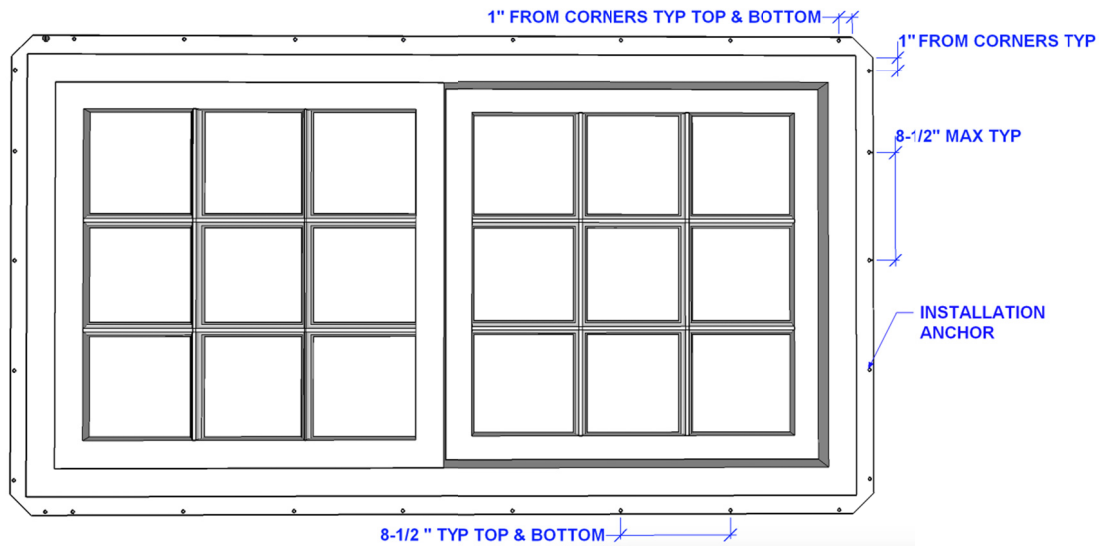
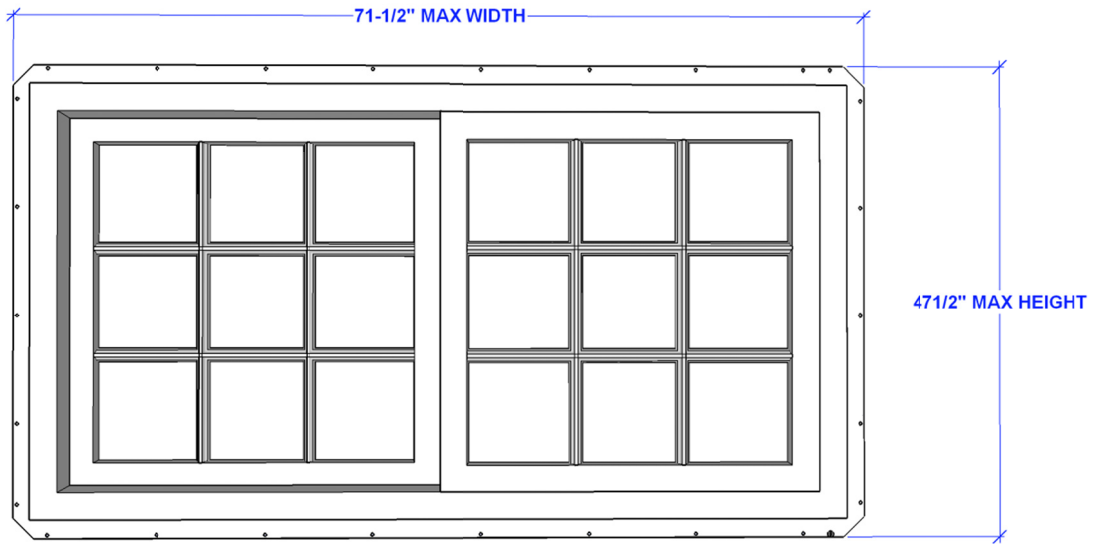
Referenced Standard:	Product Rating:
AAMA/WDMA/CSA 101/I.S.2/A440-08	Class R-PG30 1816x1207 (72x48)-Type HS

Qualifying Test Information:	
Test Report No:	ATI-A9078.06-501-47
Test Report Expiration:	4/7/2021

Authorized Signature:

Keystone Certifications, Inc.
 145 Limekiln Rd. Suite 100B
 New Cumberland, Pennsylvania 17070
 Phone: 717-932-8500
 Fax: 717-932-8501

INSTALLATION METHOD PVC (VINYL) SS46 SINGLE SLIDER WINDOW ELEVATION & ANCHOR LAYOUT



SCALE: NTS
DWN BY: AMM
CHK BY: KEA
DATE: 10/13/15

TITLE:
INSTALLATION METHOD
PVC (VINYL) SS46 SINGLE SLIDER WINDOW
ELEVATION & ANCHOR LAYOUT

PREPARED BY:
POCAHONTAS ALUMINUM COMPANY, INC.
2001 INDUSTRIAL DRIVE
POCAHONTAS, AR 72455
PH: 870-892-3689 FAX: 870-892-9858

REVISIONS			
NO.	DESCRIPTION	BY	DATE

COPYING OR
DUPLICATION IS
PROHIBITED WITHOUT
WRITTEN PERMISSION
FROM POCAHONTAS
ALUMINUM
COMPANY, INC.

