



Structural Performance Certification Authorization Report

Pocahontas Aluminum Company, Inc.

PO Box 756, 2001 Industrial Drive
Pocahontas, AR 72455, USA

Certification ID:	757-126
Company Code:	757
Certification Date:	12/14/2015
Revision No:	1
Revision Date:	10/16/2023
Expiration Date:	11/30/2026

Product Rating Information:

Model:	100 VS Aluminum Vertical Sliding Window			
Operator Type:	VS			
Configuration:	No			
Referenced Standard:	AAMA 1701.2-12 / FMHC&S Std. 3280.403			
Product Rating:	Wind Zone I @ +25/-12.5 psf, 40x63			
Rated Dimensions:	Max Width:	40 in	Max Height:	63 in

Qualifying Test Information:

Test Report No:	ATI-F3051.01-801-44
Test Report Expiration:	11/30/2026

This Certification Authorization Report (CAR) is issued by Keystone Certifications, Inc. (KCI) after full validation review, and is based on a standardized evaluation of the product conducted by an independent accredited laboratory in accordance with the specified referenced standard. Actual fenestration product performance may vary based on many factors, including installation, condition of the wall/roof substrate and the age of the product and installation components.

This report indicates the product is eligible for the application of Keystone Certification Program certification labels. Licensee stipulates in affixing certification labels to products, that those products are representative of the specimen evaluated and documented for certification authorization. Only products bearing such a certification label shall be considered certified. The information in this report can be verified at www.keystonecerts.com



Authorized By:

Shaun Shaull
Shaun Shaull
2023.10.16 07:58:17
-04'00'

Keystone Certifications, Inc.
145 Limekiln Rd, Suite 100B
New Cumberland, PA 17070
Phone: 717-932-8500



Structural Performance Certification Authorization Report

Revision History

Rev #	Date	Description
0	12/14/2015	Initial Issuance.
1	10/16/2023	Granted 3 Year Extension.



Structural Performance Certification Authorization Report

Pocahontas Aluminum Company, Inc.

PO Box 756, 2001 Industrial Drive
Pocahontas, AR 72455, USA

Certification ID:	757-127
Company Code:	757
Certification Date:	12/14/2015
Revision No:	1
Revision Date:	10/16/2023
Expiration Date:	11/30/2026

Product Rating Information:

Model:	100 VS Aluminum Vertical Sliding Window			
Operator Type:	VS			
Configuration:	No			
Referenced Standard:	AAMA 1701.2-12 / FMHC&S Std. 3280.403			
Product Rating:	Wind Zone III @ 48 psf, 36x36			
Rated Dimensions:	Max Width:	36 in	Max Height:	36 in

Qualifying Test Information:

Test Report No:	ATI-F3051.01-801-44
Test Report Expiration:	11/30/2026

This Certification Authorization Report (CAR) is issued by Keystone Certifications, Inc. (KCI) after full validation review, and is based on a standardized evaluation of the product conducted by an independent accredited laboratory in accordance with the specified referenced standard. Actual fenestration product performance may vary based on many factors, including installation, condition of the wall/roof substrate and the age of the product and installation components.

This report indicates the product is eligible for the application of Keystone Certification Program certification labels. Licensee stipulates in affixing certification labels to products, that those products are representative of the specimen evaluated and documented for certification authorization. Only products bearing such a certification label shall be considered certified. The information in this report can be verified at www.keystonecerts.com



Authorized By:

Shaun Shaull
Shaun Shaull
2023.10.16 08:00:21
-04'00'

Keystone Certifications, Inc.
145 Limekiln Rd, Suite 100B
New Cumberland, PA 17070
Phone: 717-932-8500

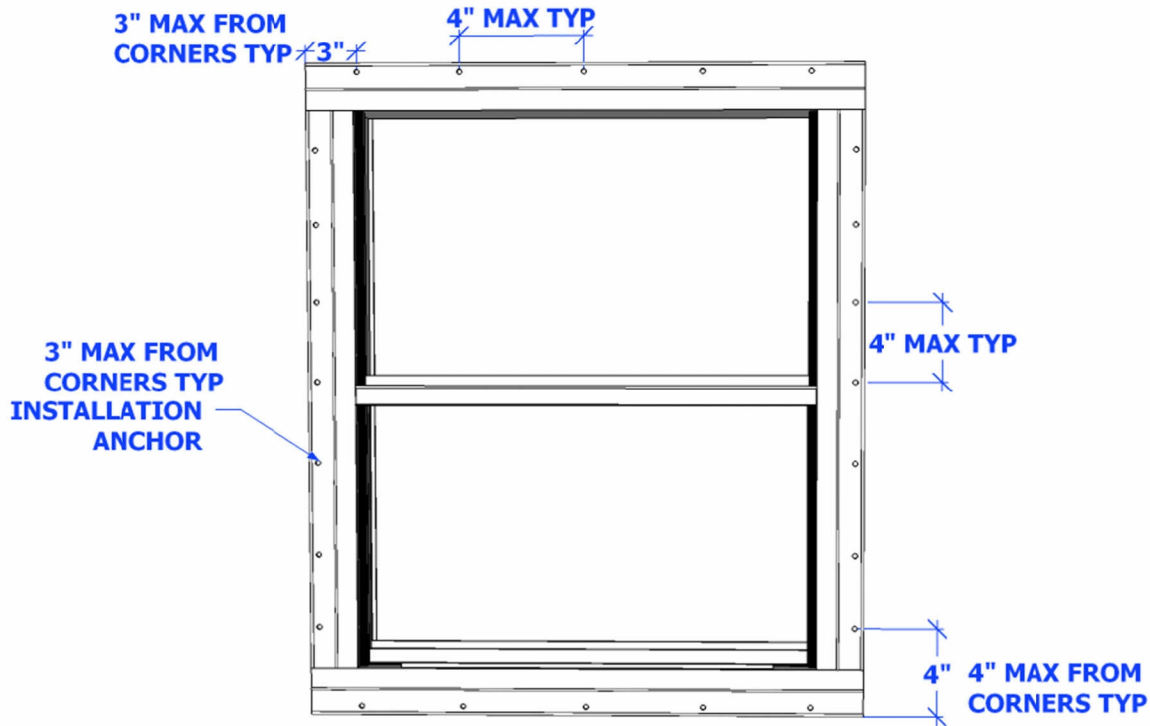
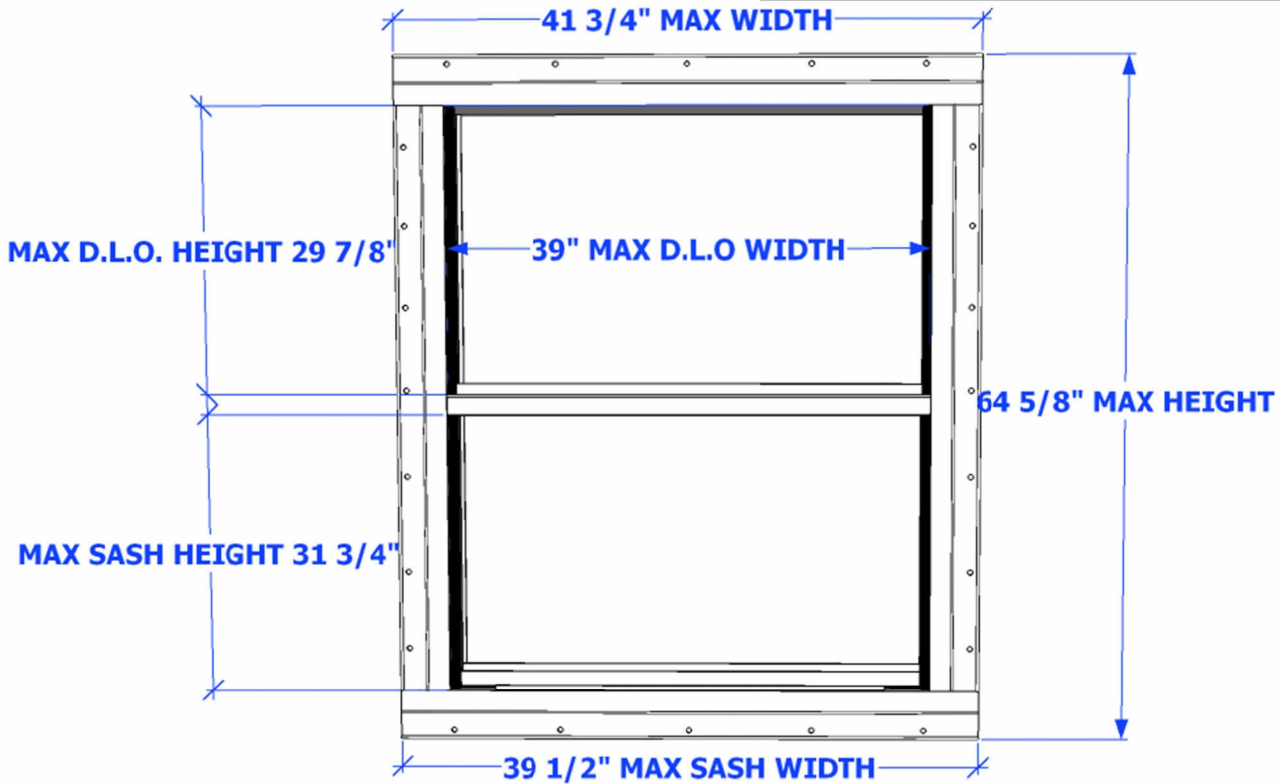


Structural Performance Certification Authorization Report

Revision History

Rev #	Date	Description
0	12/14/2015	Initial Issuance.
1	10/16/2023	Granted 3 Year Extension.

**INSTALLATION METHOD
ALUMINUM NON-INSULATED
ELEVATION & ANCHOR LAYOUT**



SCALE: NTS
DWN BY: AMM
CHK BY: KEA
DATE: 10/13/15

TITLE:
INSTALLATION METHOD
ALUMINUM NON-INSULATED
ELEVATION & ANCHOR LAYOUT

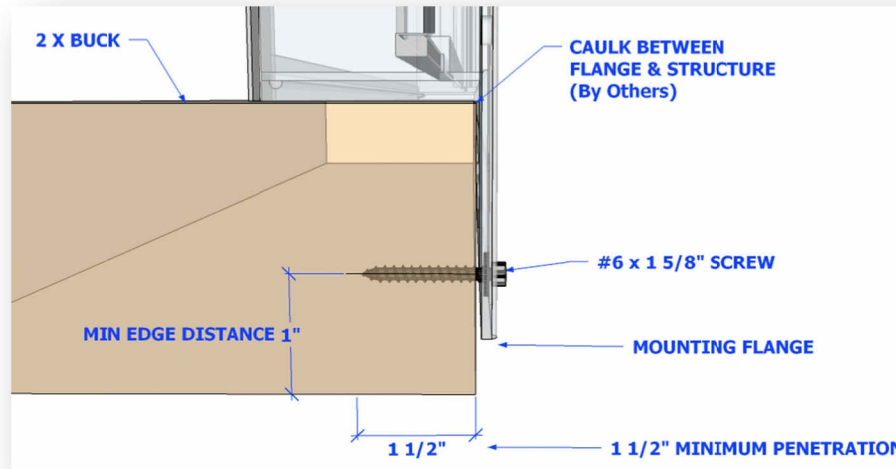
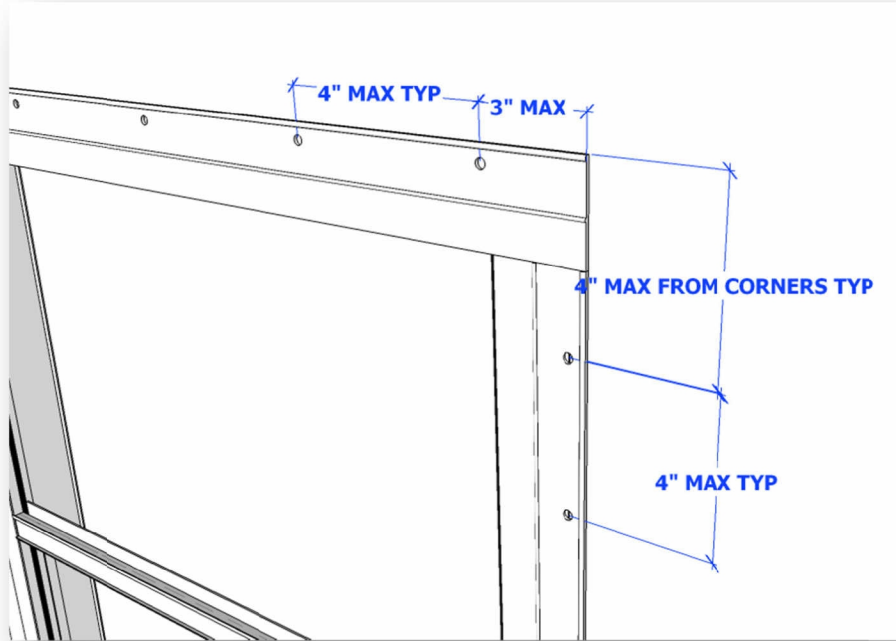
PREPARED BY:
POCAHONTAS ALUMINUM COMPANY, INC.
2001 INDUSTRIAL DRIVE
POCAHONTAS, AR 72455
PH: 870-892-3689 FAX: 870-892-9858

REVISIONS			
NO.	DESCRIPTION	BY	DATE

COPYING OR
DUPLICATION IS
PROHIBITED WITHOUT
WRITTEN PERMISSION
FROM POCAHONTAS
ALUMINUM
COMPANY, INC.



INSTALLATION METHOD ALUMINUM NON-INSULATED ELEVATION & ANCHOR LAYOUT



SCALE: NTS
 DWN BY: AMM
 CHK BY: KEA
 DATE: 10/13/15

TITLE:
 INSTALLATION METHOD
 ALUMINUM NON-INSULATED
 ELEVATION & ANCHOR LAYOUT

PREPARED BY:
 POCAHONTAS ALUMINUM COMPANY, INC.
 2001 INDUSTRIAL DRIVE
 POCAHONTAS, AR 72455
 PH: 870-892-3689 FAX: 870-892-9858

REVISIONS			
NO.	DESCRIPTION	BY	DATE

COPYING OR
 DUPLICATION IS
 PROHIBITED WITHOUT
 WRITTEN PERMISSION
 FROM POCAHONTAS
 ALUMINUM
 COMPANY, INC.





Structural Performance Certification Authorization Report

Pocahontas Aluminum Company, Inc.

PO Box 756, 2001 Industrial Drive
Pocahontas, AR 72455, USA

Certification ID:	757-128
Company Code:	757
Certification Date:	12/14/2015
Revision No:	1
Revision Date:	10/16/2023
Expiration Date:	11/30/2026

Product Rating Information:

Model:	100 VS Aluminum Vertical Sliding Window			
Operator Type:	VS			
Configuration:	No			
Referenced Standard:	AAMA 1701.2-12 / FMHC&S Std. 3280.403			
Product Rating:	Wind Zone III @ 58 psf, 30x30			
Rated Dimensions:	Max Width:	30 in	Max Height:	30 in

Qualifying Test Information:

Test Report No:	ATI-F3051.01-801-44
Test Report Expiration:	11/30/2026

This Certification Authorization Report (CAR) is issued by Keystone Certifications, Inc. (KCI) after full validation review, and is based on a standardized evaluation of the product conducted by an independent accredited laboratory in accordance with the specified referenced standard. Actual fenestration product performance may vary based on many factors, including installation, condition of the wall/roof substrate and the age of the product and installation components.

This report indicates the product is eligible for the application of Keystone Certification Program certification labels. Licensee stipulates in affixing certification labels to products, that those products are representative of the specimen evaluated and documented for certification authorization. Only products bearing such a certification label shall be considered certified. The information in this report can be verified at www.keystonecerts.com



Authorized By:

Shaun Shaull
Shaun Shaull
2023.10.16 08:02:41
-04'00'

Keystone Certifications, Inc.
145 Limekiln Rd, Suite 100B
New Cumberland, PA 17070
Phone: 717-932-8500



Structural Performance Certification Authorization Report

Revision History

Rev #	Date	Description
0	12/14/2015	Initial Issuance.
1	10/16/2023	Granted 3 Year Extension.



Structural Performance Certification Authorization Report

Pocahontas Aluminum Company, Inc.

PO Box 756, 2001 Industrial Drive
Pocahontas, AR 72455, USA

Certification ID:	757-131
Company Code:	757
Certification Date:	1/4/2016
Revision No:	1
Revision Date:	10/16/2023
Expiration Date:	11/30/2026

Product Rating Information:

Model:	100 VS Aluminum Vertical Sliding Window			
Operator Type:	VS			
Configuration:	No			
Referenced Standard:	AAMA/WDMA/CSA 101/I.S.2/A440-08			
Product Rating:	Class R-PG15 762x762* (30x30*)-VS, DP=+/-35			
Rated Dimensions:	Max Width:	30 in	Max Height:	30 in

Qualifying Test Information:

Test Report No:	ATI-F3051.01-801-44/ATI-95537.02-801-44
Test Report Expiration:	11/30/2026

This Certification Authorization Report (CAR) is issued by Keystone Certifications, Inc. (KCI) after full validation review, and is based on a standardized evaluation of the product conducted by an independent accredited laboratory in accordance with the specified referenced standard. Actual fenestration product performance may vary based on many factors, including installation, condition of the wall/roof substrate and the age of the product and installation components.

This report indicates the product is eligible for the application of Keystone Certification Program certification labels. Licensee stipulates in affixing certification labels to products, that those products are representative of the specimen evaluated and documented for certification authorization. Only products bearing such a certification label shall be considered certified. The information in this report can be verified at www.keystonecerts.com



Authorized By:

Shaun Shaull
Shaun Shaull 2023.10.16 07:56:09
-04'00'

Keystone Certifications, Inc.
145 Limekiln Rd, Suite 100B
New Cumberland, PA 17070
Phone: 717-932-8500

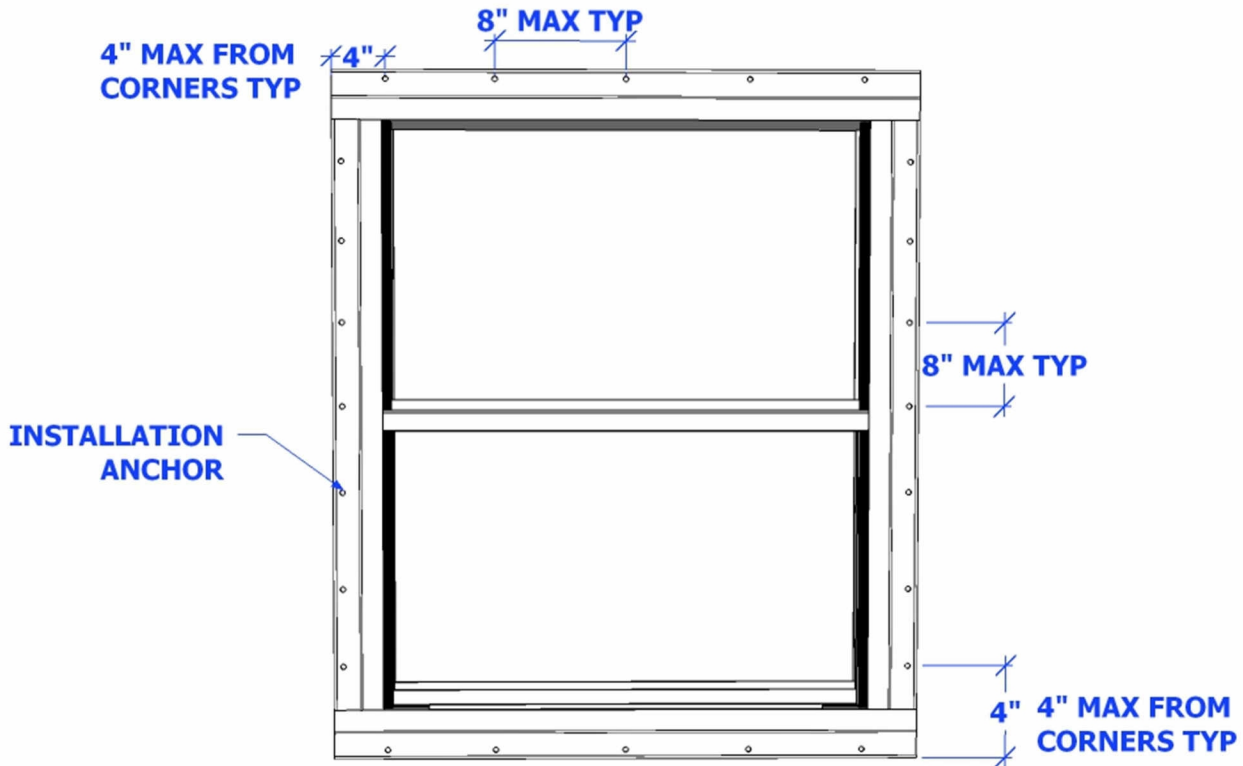
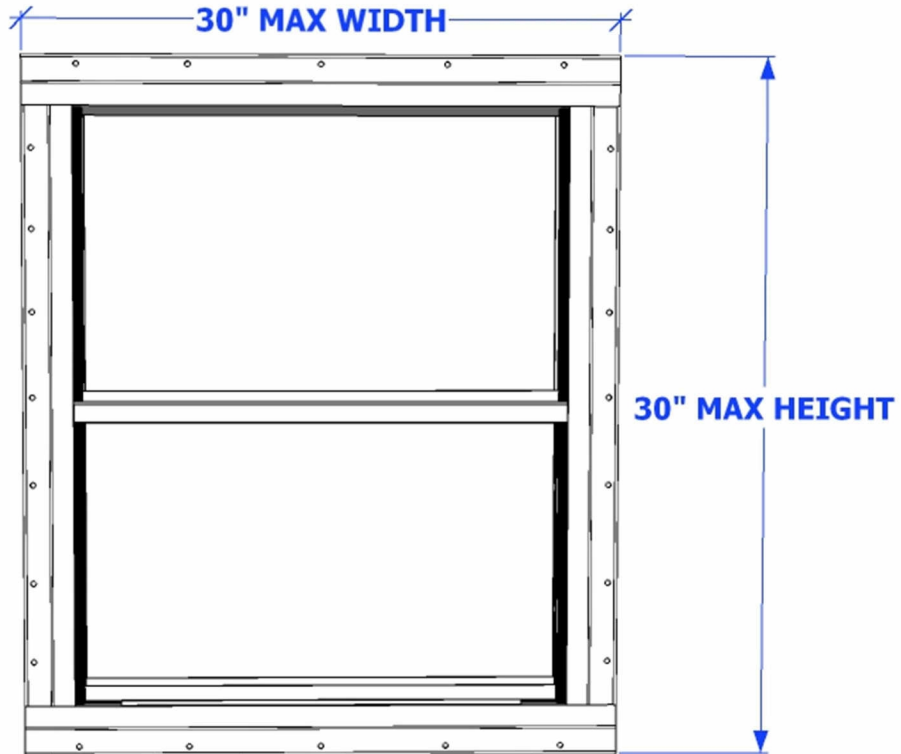


Structural Performance Certification Authorization Report

Revision History

Rev #	Date	Description
0	1/4/2016	Initial Issuance.
1	10/16/2023	Granted 3 Year Extension.

**INSTALLATION METHOD
ALUMINUM NON-INSULATED
ELEVATION & ANCHOR LAYOUT**



SCALE: NTS
ALL DIMENSIONS: +/- 1/8"

DWN BY: AMM

CHK BY: KEA

DATE: 10/13/15

TITLE:
INSTALLATION METHOD
ALUMINUM NON-INSULATED
ELEVATION & ANCHOR LAYOUT

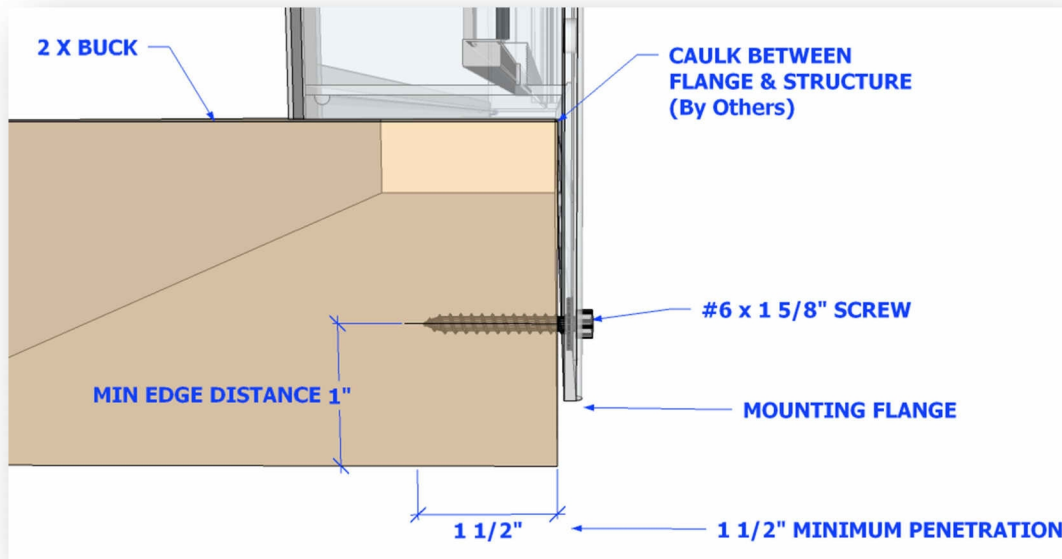
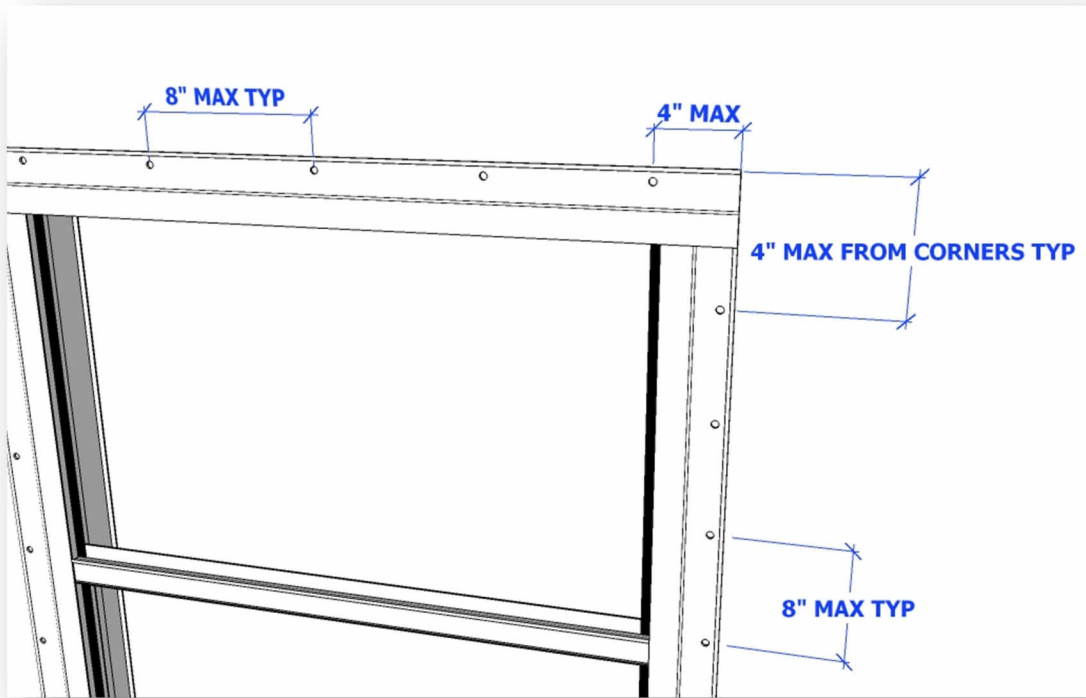
PREPARED BY:
POCAHONTAS ALUMINUM COMPANY, INC.
2001 INDUSTRIAL DRIVE
POCAHONTAS, AR 72455
PH: 870-892-3689 FAX: 870-892-9858

REVISIONS			
NO.	DESCRIPTION	BY	DATE

COPYING OR
DUPLICATION IS
PROHIBITED WITHOUT
WRITTEN PERMISSION
FROM POCAHONTAS
ALUMINUM
COMPANY, INC.



**INSTALLATION METHOD
ALUMINUM NON-INSULATED
ELEVATION & ANCHOR LAYOUT**



SCALE: NTS
DIMENSIONS: +/- 1/4"
DWN BY: AMM
CHK BY: KEA
DATE: 10/13/15

TITLE:
INSTALLATION METHOD
ALUMINUM NON-INSULATED
ELEVATION & ANCHOR LAYOUT

PREPARED BY:
POCAHONTAS ALUMINUM COMPANY, INC.
2001 INDUSTRIAL DRIVE
POCAHONTAS, AR 72455
PH: 870-892-3689 FAX: 870-892-9858

REVISIONS			
NO.	DESCRIPTION	BY	DATE

COPYING OR
DUPLICATION IS
PROHIBITED WITHOUT
WRITTEN PERMISSION
FROM POCAHONTAS
ALUMINUM
COMPANY, INC.





TEST REPORT

Report No.: F3051.01-801-44

Rendered to:

POCAHONTAS ALUMINUM COMPANY, INC.
Pocahontas, Arkansas

PRODUCT TYPE: Vertical slider
SERIES/MODEL: 100

SPECIFICATION:

AAMA 1701.2-02, Voluntary Standard for Utilization in Manufactured Housing for Primary Windows and Sliding Glass Doors.

Test Date: 11/14/15
Report Date: 11/30/15
Record Retention End Date: 11/14/19

1.0 Report Issued To: Pocahontas Aluminum Company, Inc.
2001 Industrial Drive P.O Box 756
Pocahontas, Arkansas 72455

2.0 Test Laboratory: Intertek-ATI
1909 10th Street Suite 100
Plano, Texas
(469) 814-0687

3.0 Project Summary:

3.1 Product Type: Aluminum Vertical Slider

3.2 Series/Model: 100

3.3 Compliance Statement: Results obtained are tested values and were secured by using the designated test method(s). The sample tested successfully met the performance requirements listed in the referenced specification(s).

3.4 Test Date: 11/14/2015

3.5 Test Record Retention End Date: All test records for this report will be retained until November 14, 2019.

3.6 Test Location: Intertek-ATI testing facility in Plano, Texas.

3.7 Test Sample Source: The test specimen was provided by the client.

3.8 List of Official Observers:

<u>Name</u>	<u>Company</u>
Clint Barnett	Architectural Testing, Inc.
Ken Akins	Pocahontas Aluminum Company

4.0 Test Specification(s):

AAMA 1701.2-02, *Voluntary Standard for Utilization in Manufactured Housing for Primary Windows and Sliding Glass Doors.*

5.0 Test Specimen Description:

5.1 Product Sizes:

Test Specimen #1

Overall Area: 1.6 m ² (17.5 ft ²)	Width		Height	
	millimeters	inches	millimeters	inches
Overall size	1016	40	1600	63
Sash	1010	39-3/4	813	32
Screen	1003	39-1/2	800	31-1/2

Test Specimen #2

Overall Area: 0.83 m ² (9 ft ²)	Width		Height	
	millimeters	inches	millimeters	inches
Overall size	1168	36	686	36
Sash	591	35-3/4	629	18-1/2
Screen	902	35-1/2	464	18-1/4

Test Specimen #3

Overall Area: 0.58 m ² (6.25 ft ²)	Width		Height	
	millimeters	inches	millimeters	inches
Overall size	762	30	762	30
Sash	737	29	394	15-1/2
Screen	730	28-3/4	381	15

5.0 Test Specimen Description: (Continued)

5.2 Frame Construction:

Frame Member	Material	Description
All members	Mill finish aluminum	Extruded

	Joinery Type	Detail
Frame corners	Coped and butted	Coped, butted, sealed, and fastened using one #6 x 1" Phillips pan head screw
Fixed interlock	Coped and butted	Fastened to each jamb using one #6 x 1/2" pan head screw

5.3 Sash Construction:

Sash Member	Material	Description
All members	Mill finish aluminum	Extruded

	Joinery Type	Detail
All corners	Coped and butted	Coped, butted, sealed, and fastened using one #6 x 1" Phillips pan head screw

5.0 Test Specimen Description: (Continued)

5.4 Weatherstripping:

Description	Quantity	Location
0.187" x 0.270" pile with fin	2 rows	Exterior face of stiles
0.100" x 0.152" vinyl fin	1 row	Sash top rail, inside of interlock
0.100" x 0.375" vinyl bulb	1 row	Sash bottom rail

5.5 Glazing: *No conclusions of any kind regarding the adequacy or inadequacy of the glass in any glazed test specimen(s) can be made.*

Glass Type	Glazing	Glazing Method
Monolithic	3/32 Annealed	Interior Wet Glazed

Location	Quantity	Daylight Opening		Glass Bite
		millimeters	inches	
Sash Specimen # 1	1	981 x 759	38-5/8 x 29-7/8	0.50
Fixed lite Specimen# 1	1	981 x 759	38-5/8 x 29-7/8	0.50
Sash Specimen # 2	1	864 x 419	34 x 16-1/2	0.50
Fixed lite Specimen# 2	1	864 x 419	34 x 16-1/2	0.50
Sash Specimen # 3	1	864 x 419	28 x 13-1/4	0.50
Fixed lite Specimen# 3	1	864 x 419	28 x 13-1/4	0.50

5.6 Drainage:

Drainage Method	Size	Quantity	Location
Weep notch	3/16" x 1-5/8"	2	Exterior sill leg, 7/8" on center spacing from outside edge of jambs.

5.7 Hardware:

Description	Quantity	Location
Spring latches	2	Each end of sash
Vinyl sash guides	4	Top and bottom of each stile

5.0 Test Specimen Description: (Continued)

5.8 Screen

Frame Material	Corner Construction	Mesh Type
Aluminum	Plastic corner keys	Fiberglass

6.0 Installation:

The specimen was installed into a Spruce-Pine-Fir wood buck. The rough opening allowed for a 1/4" shim space.

Location	Anchor Description	Anchor Location
Nailing flange	#6 x 1-5/8" screw	4" from each corner and 8" on center thereafter

7.0 Test Results: The temperature during testing was 27°C (70°F). The results are tabulated as follows:

Test Specimen #1 40 x 63

Title of Test	Results	Allowed	Note
Structural Performance, per ASTM E 330 +1190 Pa (+25.0 psf) -595 Pa (-12.5 psf)	Pass	No damage	2, 3
Air Leakage, per ASTM E 283 at 75 Pa (1.57 psf)	0.76 L/s/m ² (0.15 cfm/ft ²)	2.5 L/s/m ² (0.5 cfm/ft ²) max.	
Water Penetration, per ASTM E 547 at 140 Pa (2.92 psf)	Pass	No leakage	1

Test Specimen #2 36 x 36

Title of Test	Results	Allowed	Note
Optional Performance (24 CFR 3280.305(c))			
Uniform Load Structural, per ASTM E 330 +2298 Pa (+48.00 psf) -2298 Pa (-48.00 psf)	Pass	No damage	2, 3

Test Specimen #3 30 x 30

Title of Test	Results	Allowed	Note
Optional Performance (24 CFR 3280.305(c))			
Uniform Load Structural, per ASTM E 330 +2777 Pa (+58.00 psf) -2777 Pa (-58.00 psf)	Pass	No damage	2, 3

Note 1: With and without insect screen.

Note 2: Loads were held for 10 seconds.

Note 3: Tape and film were used to seal against air leakage during structural testing. In our opinion, the tape and film did not influence the results of the test.



Architectural Testing will service this report for the entire test record retention period. Test records that are retained such as detailed drawings, datasheets, representative samples of test specimens, or other pertinent project documentation will be retained by Architectural Testing, Inc. for the entire test record retention period.

This report does not constitute certification of this product nor an opinion or endorsement by this laboratory. It is the exclusive property of the client so named herein and relates only to the specimen(s) tested. This report may not be reproduced, except in full, without the written approval of Architectural Testing, Inc.

For ARCHITECTURAL TESTING, Inc.

Clint Barnett
Technician

Andy Cost
Laboratory Manager

CB:ac

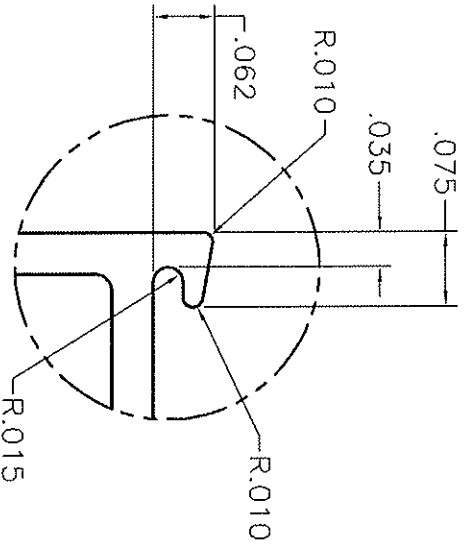
Attachments (pages): This report is complete only when all attachments listed are included.
Appendix-A: Drawing(s) (9) Complete drawings packet on file with Architectural Testing, Inc.

APPENDIX A

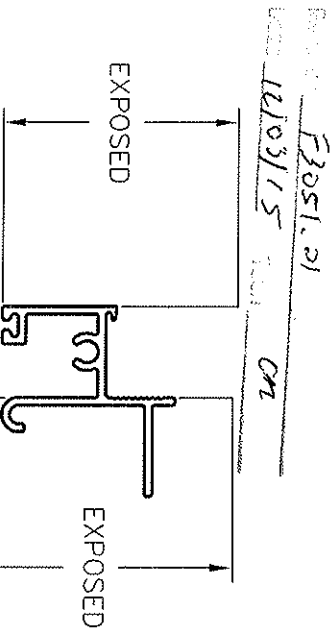
Drawings

ALUMINUM ASSOCIATION STD TOLERANCES APPLY UNLESS NOTED
 .042 TYP. WALL EXCEPT AS SHOWN. BREAK SHARP CORNERS 0.016 R

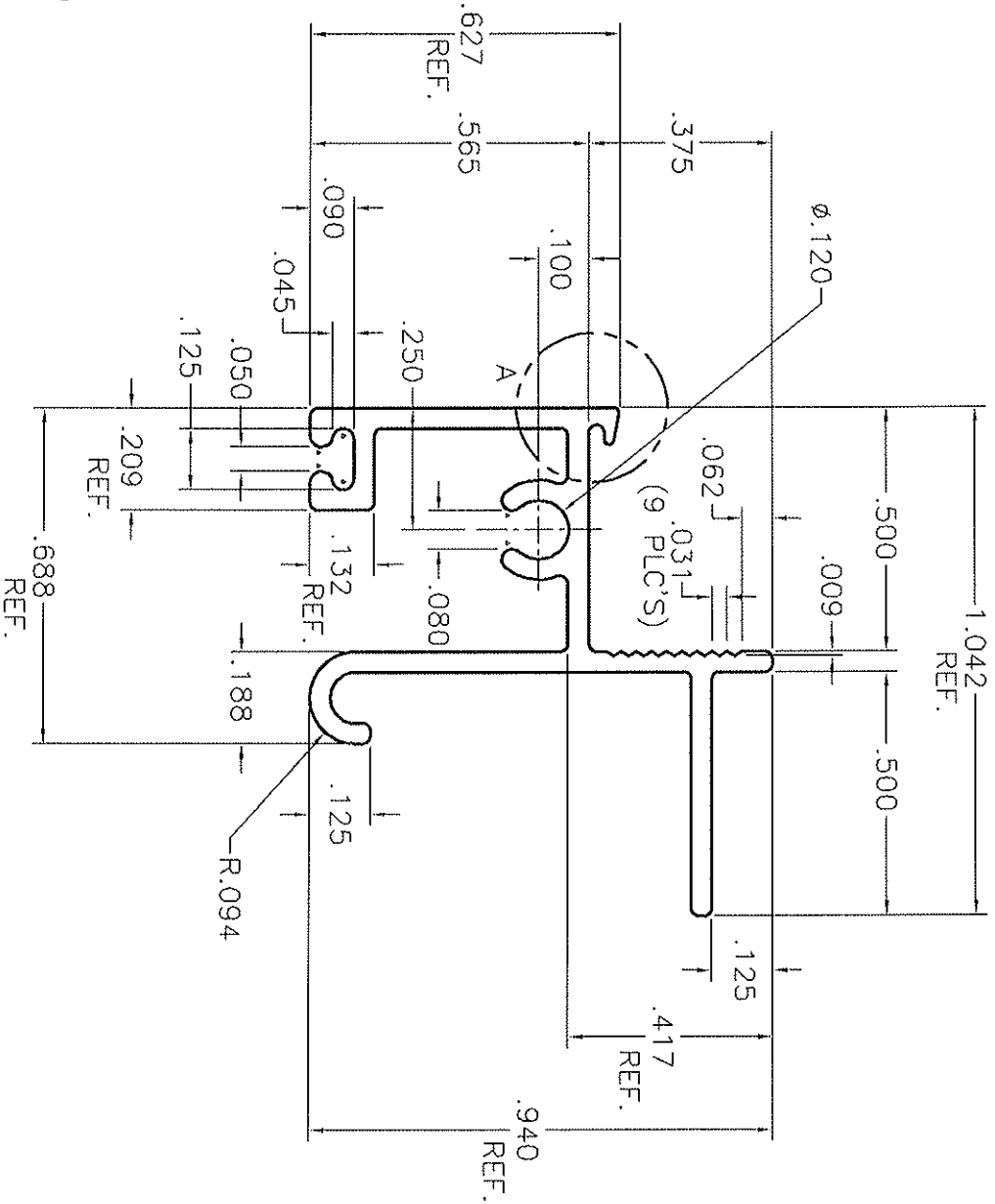
JDS S-2741



DETAIL A



ACTUAL SIZE



MINIMUM 10 WEBSTER

(Δ) FULL R.
(6 PLC'S)

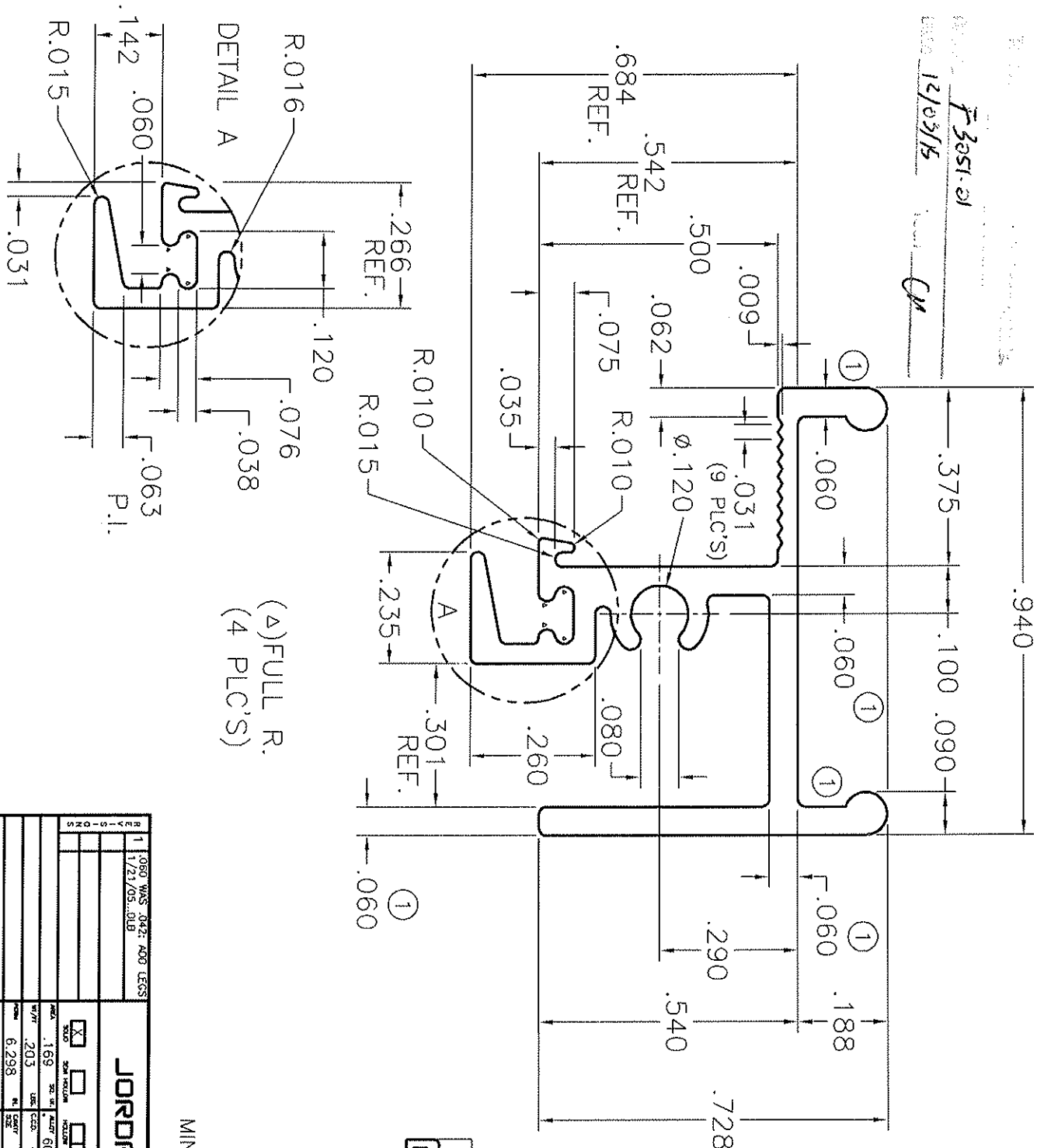
JORDAN		P.O. BOX 18377 MEMPHIS, TN 38118 PHONE (901) 365-2121	
CUSTOMER POCAHONTAS ALUMINUM	PART NO. 6063-16	ORDER NO. 02050203	DATE 5-2-02
ORDER NO. 6.505	QUANTITY 1.38	ORDER NO. 02050203	DATE 5-2-02
ORDER NO. 6.505	QUANTITY 1.38	ORDER NO. 02050203	DATE 5-2-02

ALUMINUM ASSOCIATION STD TOLERANCES APPLY UNLESS NOTED

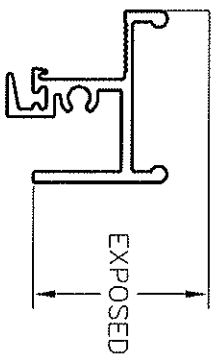
.042 TYP. WALL EXCEPT AS SHOWN. BREAK SHARP CORNERS 0.016 R

NO. S-2738 1/1

F 3051.21
 12/03/15



(Δ) FULL R.
 (4 PLC'S)

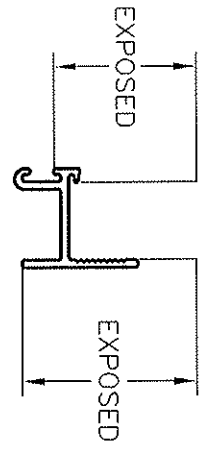
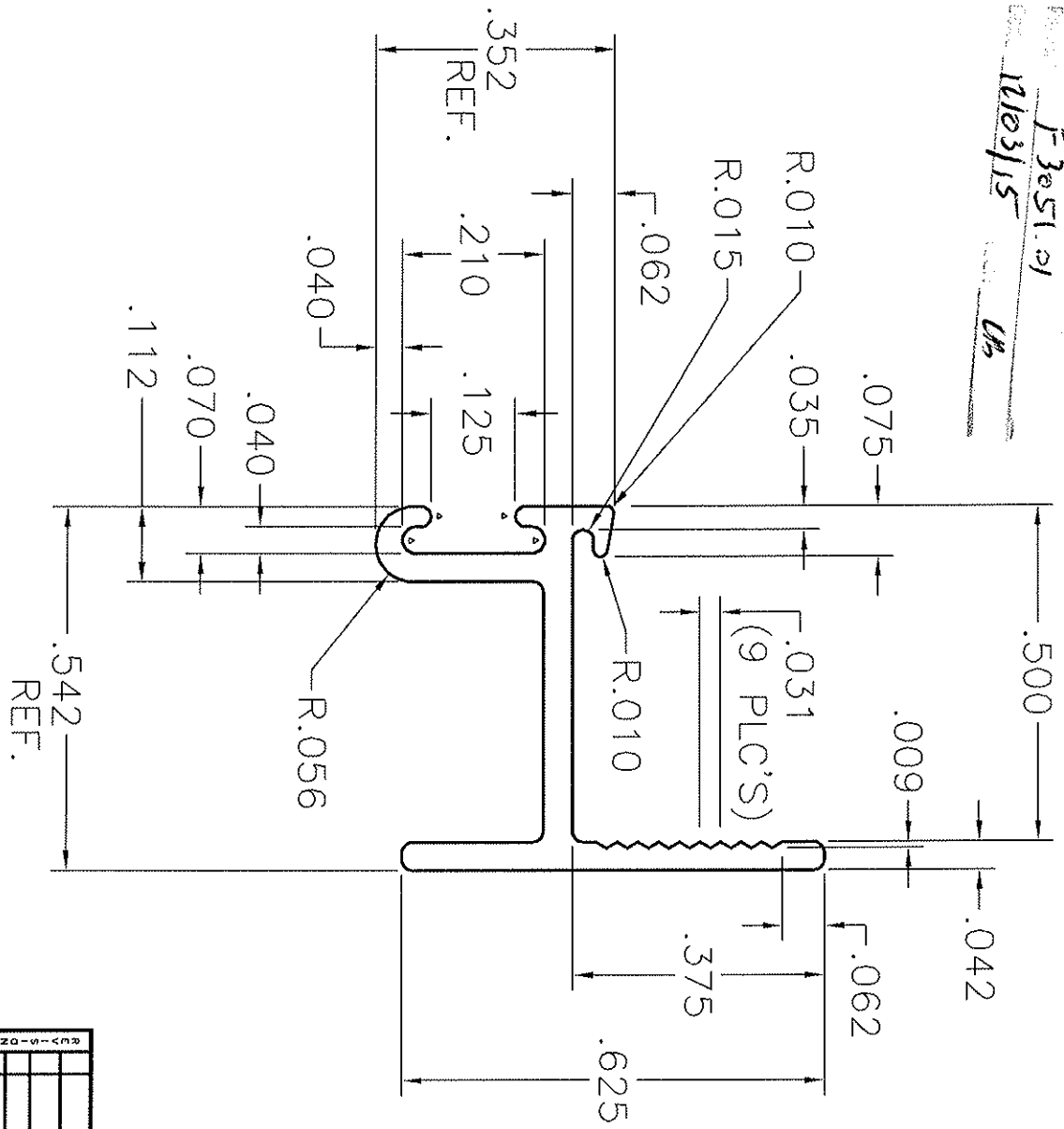


MINIMUM 10 WEBSTER

REV'S - CR'S		1 .060 WAS .042. ADD LEGS		1/21/05. QLB	
X <input type="checkbox"/> SEE HOLE IN HOLES Q/L'S .169 SEE DR. MATERIAL 6063-T6 W/TW .203 USE C/D. 1.1 .060 6.298 AS NOTED Q/LC 5045		JORDAN P.O. BOX 18377 MEMPHIS, TN 38118 PHONE (901) 363-2121		Q/LC 5045 Q/LC 5045 Q/LC 5045 Q/LC 5045	
POCANHONTAS ALUMINUM CAS S-1-02		Q/LC 5045 Q/LC 5045 Q/LC 5045 Q/LC 5045		S-2738	

ALUMINUM ASSOCIATION STD TOLERANCES APPLY UNLESS NOTED
 .042 TYP. WALL EXCEPT AS SHOWN. BREAK SHARP CORNERS 0.016 R

F3051.01
12/3/15
UH



ACTUAL SIZE

(Δ) FULL R.
 (4 PLC'S)

MINIMUM 10 WEBSTER

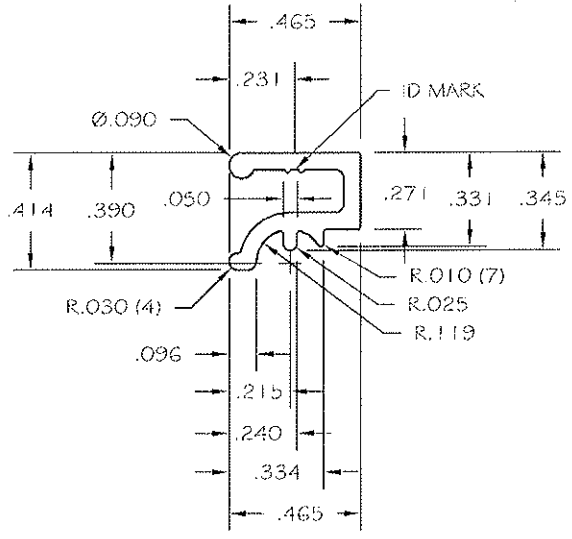
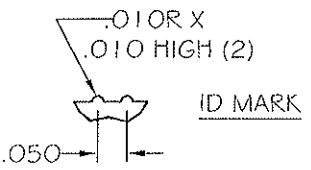
DIE S-2737

JORDAN P.O. BOX 18377 MEMPHIS, TN 38118 PHONE (901) 365-2121		CUSTOMER: POCAHONTAS ALUMINUM	
<input checked="" type="checkbox"/> SOLO <input type="checkbox"/> 2-PIECE <input type="checkbox"/> 3-PIECE <input type="checkbox"/> 4-PIECE	PART NO. 6063-T8	QUANTITY 5000	DATE 10/20/15
W/WT .076	DIA 0.9	LENGTH 3.193	ORDER NO. 02050105
W/WT 3.193	DIA 0.9	LENGTH 3.193	ORDER NO. 02050105
W/WT 3.193	DIA 0.9	LENGTH 3.193	ORDER NO. 02050105

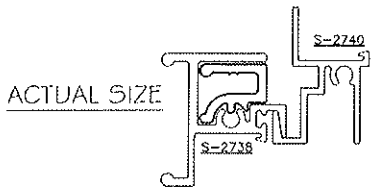
F3051.01
 12/03/18 CA

ALUMINUM ASSOCIATION STD TOLERANCES APPLY UNLESS NOTED
 .060 TYP. WALL EXCEPT AS SHOWN. BREAK SHARP CORNERS .010R

DIE NO. 5-3254 REV.



THIS PART MUST SLIDE FIT WITH S-2738 IN 3 FT LENGTHS

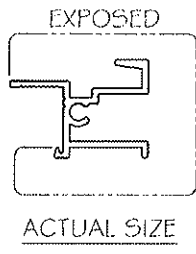
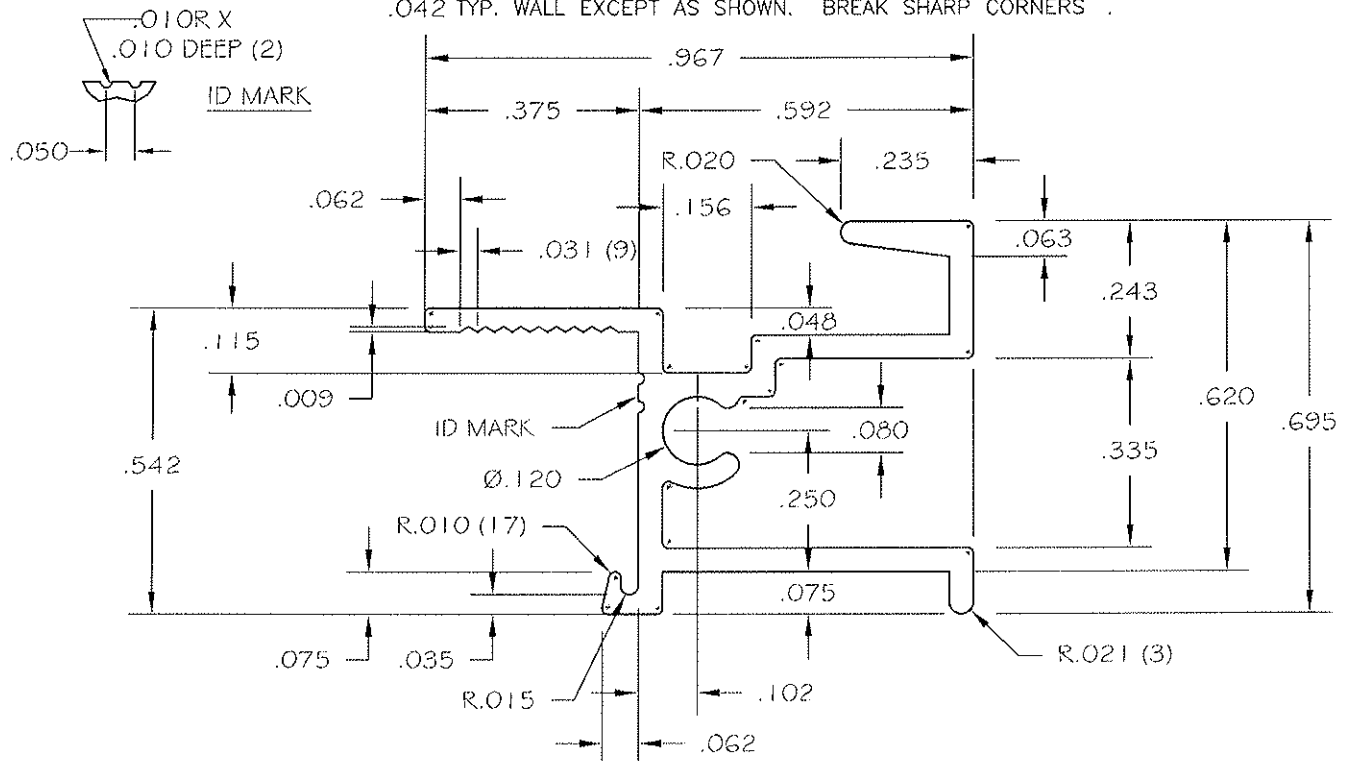


REVISIONS	JORDAN				P.O. BOX 18377 MEMPHIS, TN, 38118 PHONE (901) 363-2121						
					CUSTOMER POCAHONTAS						
					PART NO.						
					END USE SASH TOP RAIL REINFORCEMENT						
AREA .077		SQ. IN.		ALLOY 6063T6		SCALE 2:1		DWN. BY DLB		DATE 1/24/2008	
WT/FT .092		LBS.		C.C.D. 0.6							
FERM 2.573		IN.		CAVITY SIZE		DING. NO. 08012401		POCAHONTAS			
OUTSIDE FERM		IN.		CAVITY AREA		SQ. IN.		DIE NO. 5-3254			

APPROVED: *[Signature]*
 DATE: **F3051.01**
12/03/15

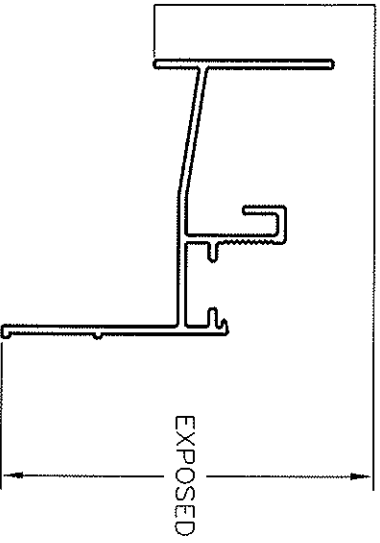
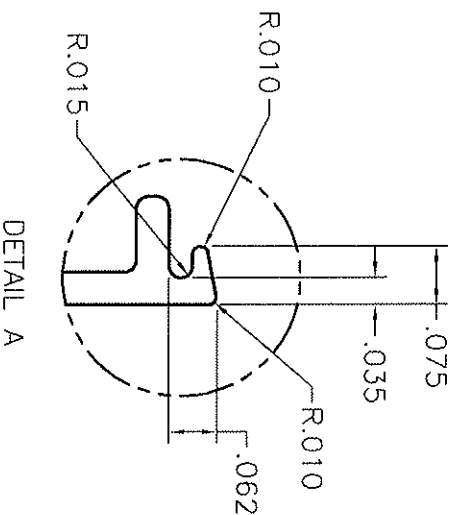
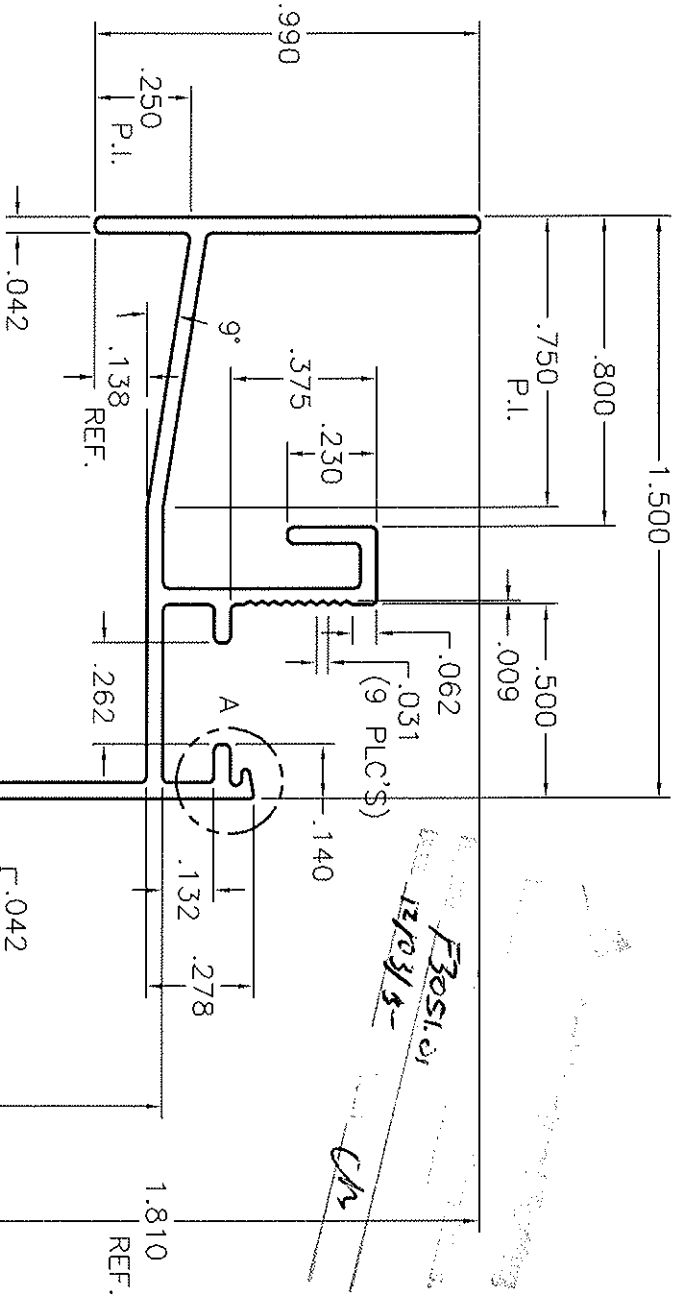
ALUMINUM ASSOCIATION STD TOLERANCES APPLY UNLESS NOTED
 .042 TYP. WALL EXCEPT AS SHOWN. BREAK SHARP CORNERS

DIE NO. **5-3606** REV .



REVISIONS	JORDAN			P.O. BOX 752268 MEMPHIS, TN, 38175-2268 PHONE (800) 833-4590 PHONE (901) 866-2665 FAX (901) 363-8226	
	<input checked="" type="checkbox"/> SOLID <input type="checkbox"/> SEMI HOLLOW <input type="checkbox"/> HOLLOW CLASS			CUSTOMER: POCAHONTAS ALUMINUM	
			PART NO.:		
			END USE: FIXED MEETING RAIL		
			SCALE: 4:1	ENR. BY: DLB	DATE: 6/16/2010
			DWG. NO.: 10061601 POCAHONTAS - FMR		
			OUTSIDE PERIM:	IN. CAVITY AREA:	SQ. IN. DIE NO.: 5-3606
			AREA: .118	SQ. IN.:	ALLOY: 6063T6
			WT./FT.:	LBS.:	C.C.D.:
			PERM:	IN. CAVITY SIZE:	SQ. IN.:

ALUMINUM ASSOCIATION STD TOLERANCES APPLY UNLESS NOTED
 .042 TYP. WALL EXCEPT AS SHOWN. BREAK SHARP CORNERS 0.016 R



ACTUAL SIZE

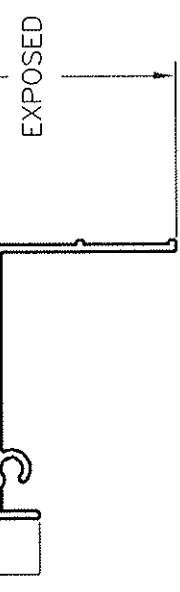
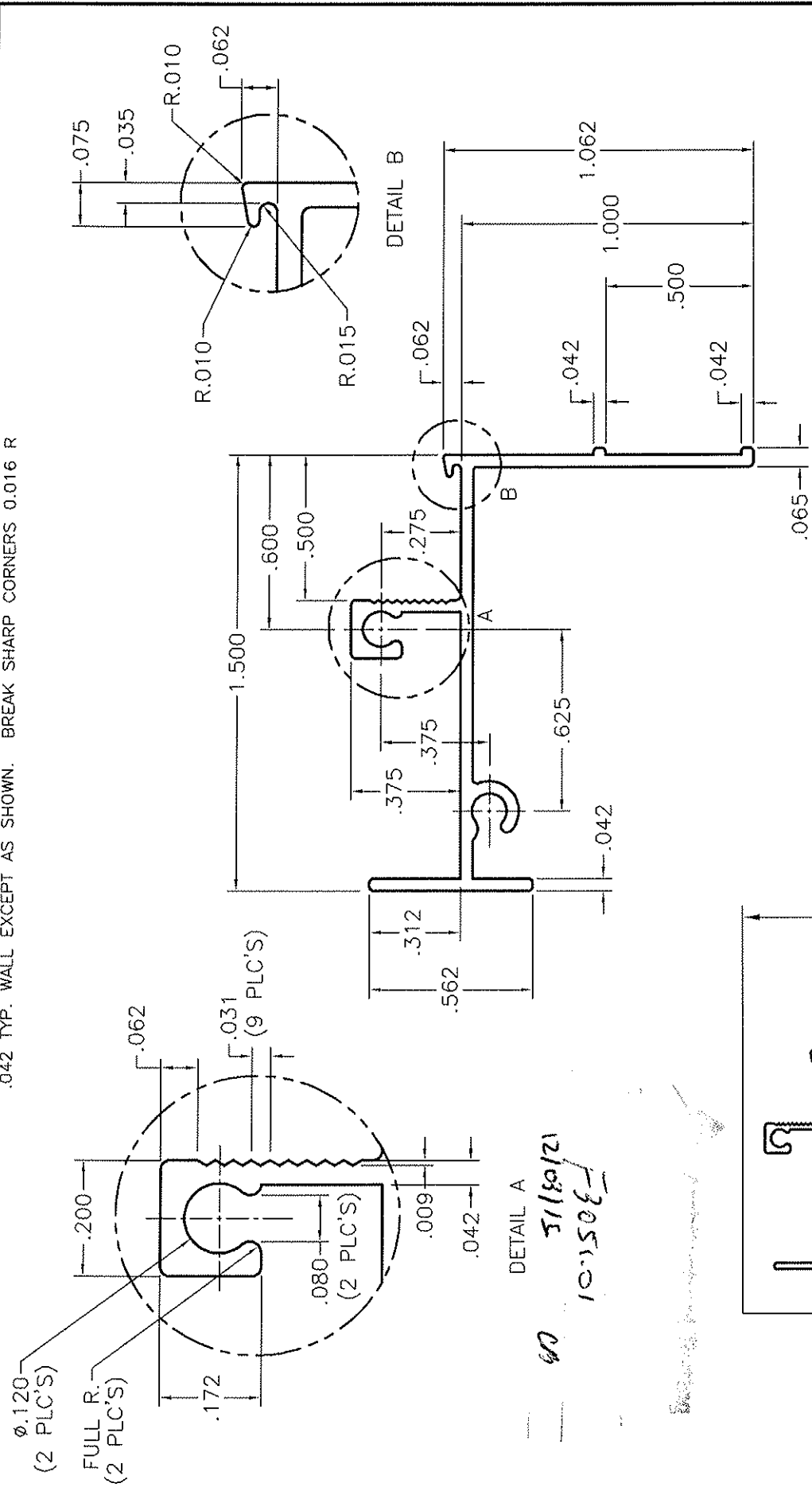
MINIMUM 10 WEBSTER

REV	DATE	BY	CHKD	DESCRIPTION
1				ISSUE
2				REVISION
3				REVISION
4				REVISION
5				REVISION
6				REVISION
7				REVISION
8				REVISION
9				REVISION
10				REVISION
11				REVISION
12				REVISION

JORDAN P.O. BOX 18377 MEMPHIS, TN 38118 PHONE (901) 383-2121		POCAHONTAS ALUMINUM P.O. BOX 18377 MEMPHIS, TN 38118 PHONE (901) 383-2121	
PART NO. 6063-16 QTY 2.4 UNIT CASE PRICE 9.551	CUSTOMER SILL FLUSH MOUNT 5-2-02	ORDER NO. 02050201 DATE 5-2-02	CONTACT S-2739

ALUMINUM ASSOCIATION STD TOLERANCES APPLY UNLESS NOTED
 .042 TYP. WALL EXCEPT AS SHOWN. BREAK SHARP CORNERS 0.016 R

DRG. S-2735



MINIMUM 10 WEBSTER

P.O. BOX 18377 MEMPHIS, TN 38118 PHONE (901) 363-2121	
JORDAN	
CUSTOMER POCAHONTAS ALUMINUM	PART NO. JAMB FLUSH MOUNT
MFG. QTY. 6063-16	PRO. USE 5-1-02
MFG. DATE 2.0	SCALE 5-1-02
MFG. NO. 8.054	Dwg. No. 02050103
MFG. DATE 10-15-08	Dwg. No. S-2735

60 5/18/12
 10-15-08